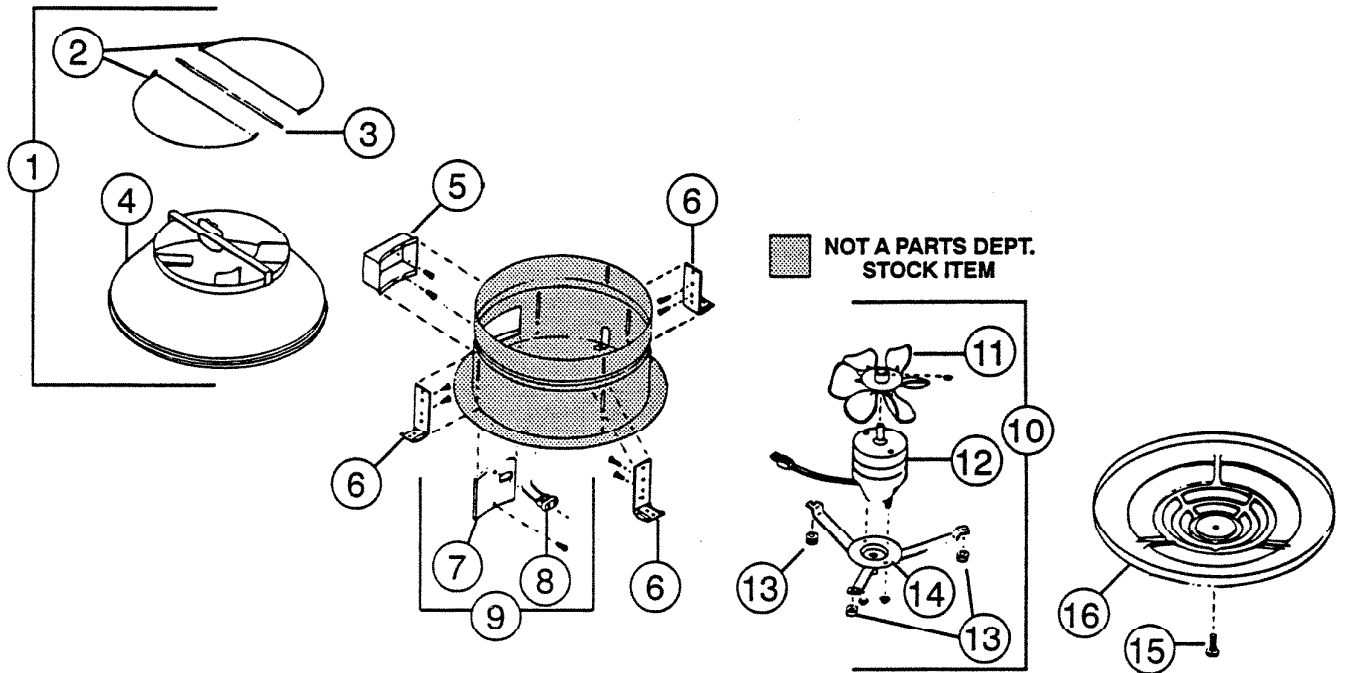


PARTS LIST

EFFECTIVE DATE	MODEL NUMBER	PRODUCT GROUP
JANUARY 1995	8490 REVISED	FAN



REF.	ORIGINAL PART NO.	*PART DESCRIPTION	MODEL USED ON	CURRENT REPLACEMENT PART NO.
1	13081	REDUCER ASSEMBLY COMPLETE	8490	13081-000
2	12624	DAMPER SET (2)	8490	1317A-000
3	13083	HINGE ROD	8490	13083-000
4	12944	REDUCER ASSEMBLY	8490	12944-005
5	10029	OUTLET BOX	8490	68608-000
6	10949	CEILING MOUNTING BRACKET (SET OF 4)	8490	53194-000
(PLEASE SEE OTHER SIDE)				

NuTone

NuTone
 Attn: Parts Department
 Madison & Red Bank Rds.
 Cincinnati, OH 45227-1599
 Phone: (513) 527-5426
 Fax: (513) 527-5173

↑
NOTE: Always order by current part number

REF.	ORIGINAL PART NO.	*PART DESCRIPTION	MODEL USED ON	CURRENT REPLACEMENT PART NO.
7	10879	OUTLET BOX COVER	8490	69061-000
8	10034	PLUG RECEPTACLE	8490	10034-000
9	69061	OUTLET BOX COVER COMPLETE	8490	69061-000
10	69062	"B" UNIT REF. NO'S 11, 12, 13, AND 14	8490	69062-000
11	17757	FAN BLADE ASSEMBLY	8490	17757-000
12	26754	MOTOR NO. ON MOTOR AK4K36A or JA2M011	8490	26754-SER
13	10058	GROMMET (SET OF 3)	8490	1241A-000
14	10862	MOTOR BRACKET	8490	64915-005
15	11246	GRILLE SCREW	8490	12220-001
16	69005	GRILLE	8490	17705-000

↑

**NOTE: Always order by
current part number**