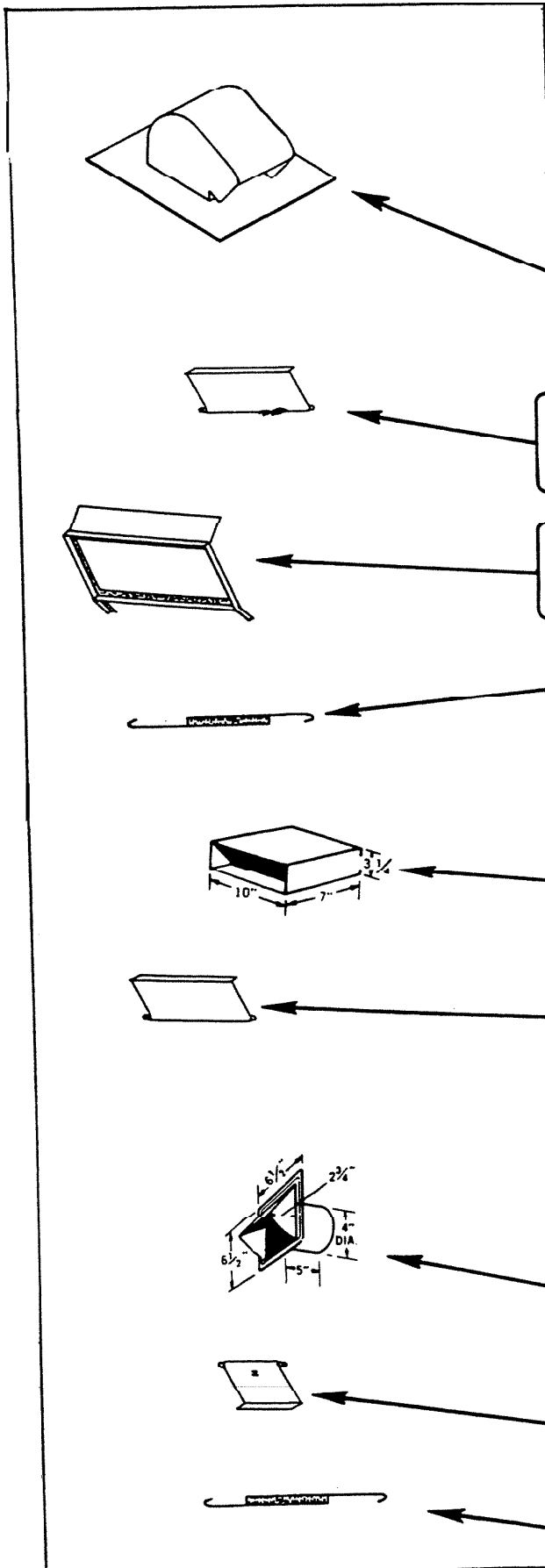


**NUTONE, INC.** Effective June 15, 1964

**Parts Price List Model No. 845-876-885**



PART NO.	PART DESCRIPTION
MODEL #845	
13311	Roof Cap Ass'y. (Less Louver Ass'y) (Painted)
13464	Roof Cap Ass'y. (Less Louver Ass'y) (Aluminum)
13327	Louver (For Spring Load)
69018	Louver Frame Ass'y.
13320	Louver Frame Ass'y. (w/Louver and Spring)
10877	Louver Spring
MODEL #876	
69019	Damper Section
12899	Louver
MODEL #885	
66777	<b>PLUG BUTTON</b>
11627	Wall Cap Ass'y. (less louver) (Painted)
17131	Wall Cap Ass'y. (less louver) (Aluminum)
11634	Louver
17128	Duct Reducer (not shown)
10877	Louver Spring

PRICES SUBJECT TO CHANGE WITHOUT NOTICE

Order Parts From: **NUTONE, INC.**  
P. O. Box 27  
Cincinnati 27, Ohio