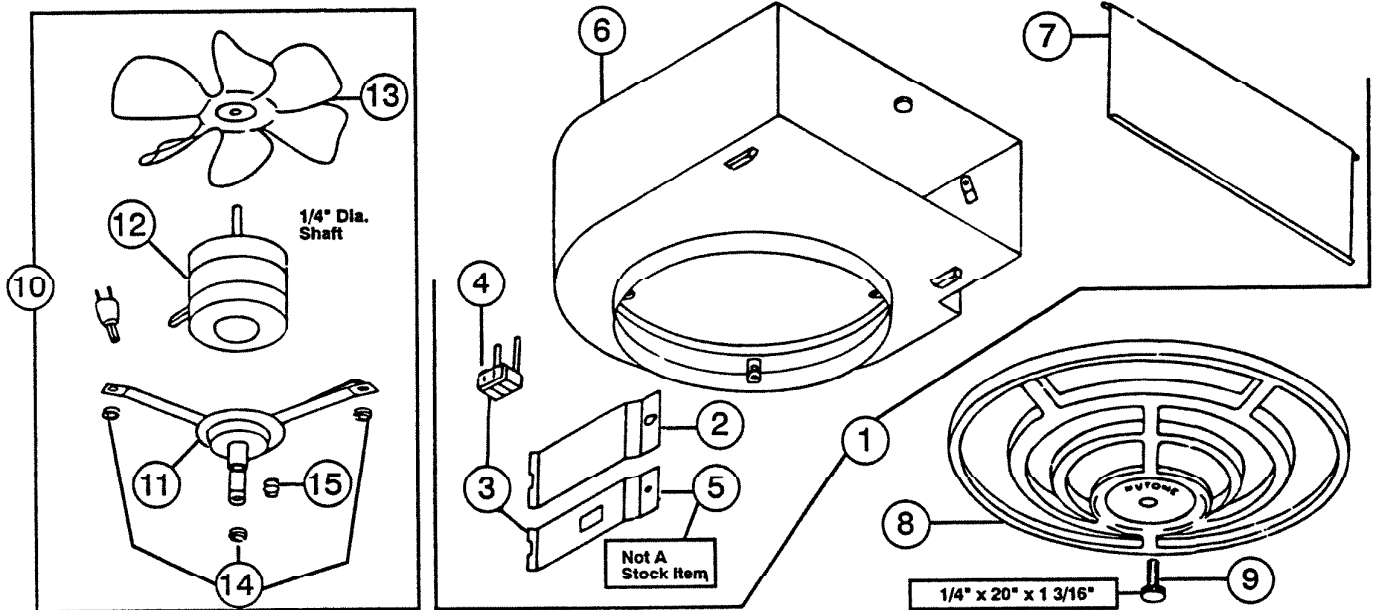


PARTS LIST

EFFECTIVE DATE	MODEL NUMBER	PRODUCT GROUP
JANUARY 1995	830-831 OBSOLETE MODELS REVISED	FAN



REF.	ORIGINAL PART NO.	*PART DESCRIPTION	MODEL USED ON	CURRENT REPLACEMENT PART NO.
1	10725	"A" UNIT ASSEMBLY	830-831	VOID-NOT AVAILABLE
2	10737	OUTLET BOX COVER	830-831	10737-000
3	69004	RECEPTACLE MTG. PLATE W/RECEPTACLE	830-831	69004-000
4	10034	RECEPTACLE	830-831	10034-000
5	10738	RECEPTACLE MTG. PLATE ONLY	830-831	VOID-NOT AVAILABLE
6	10725	HOUSING ONLY	830-831	VOID-NOT AVAILABLE
7	10742	LOUVER ASSEMBLY	830-831	10742-000
8	17722	GRILLE ASSEMBLY	830-831	17701-018
9	11247	GRILLE SCREW — 1/4"-20 x 1 3/16"	830-831	21988-001
10	69034	"B" UNIT — MOTOR, BLADE, & BRKT.	830-831	VOID-NOT AVAILABLE
(PLEASE SEE OTHER SIDE)				

NuTone

NuTone
 Attn: Parts Department
 Madison & Red Bank Rds.
 Cincinnati, OH 45227-1599
 Phone: (513) 527-5426
 Fax: (513) 527-5173

↑

NOTE: Always order by current part number

REF	ORIGINAL PART NO.	*PART DESCRIPTION	MODEL USED ON	CURRENT REPLACEMENT PART NO.
11	10744	MOTOR BRACKET	830-831	VOID-NOT AVAILABLE
12	11807	MOTOR 1/4" SHAFT	830-831	26750-SER
13	11805	FAN BLADE	830-831	11805-000
14	10058	GROMMET SET	830-831	1241A-000
15	10749	GROUND CLIP	830-831	VOID-NOT AVAILABLE

↑

NOTE: Always order by current part number