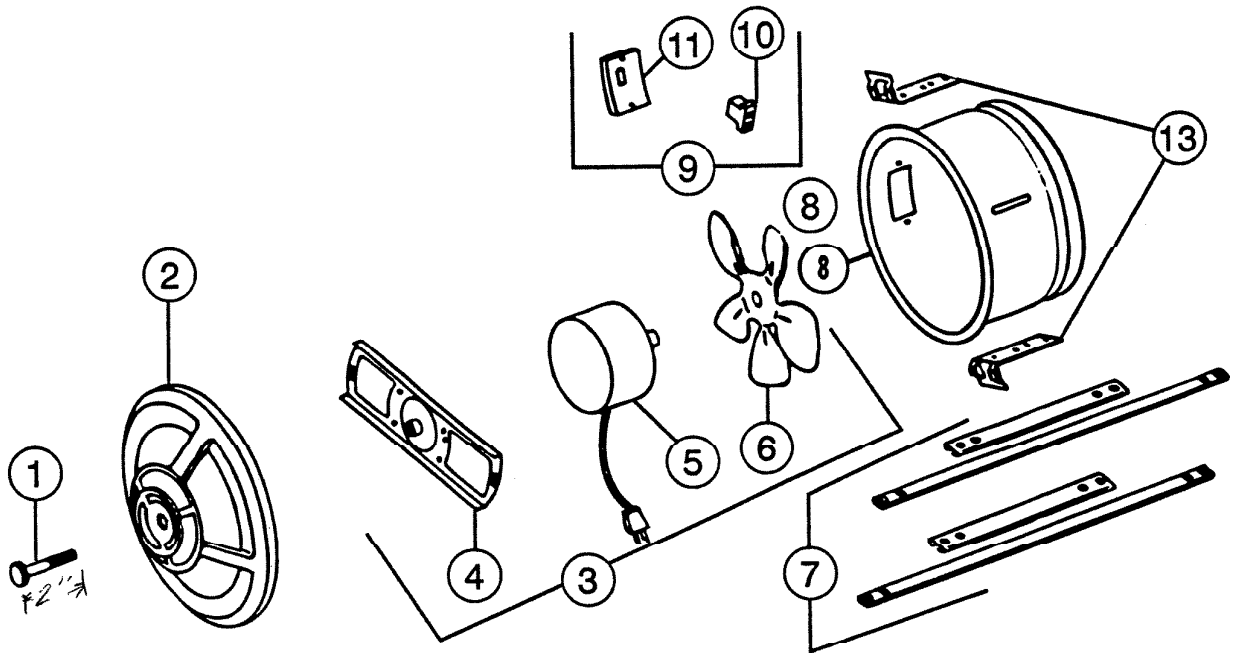


# PARTS LIST

EFFECTIVE DATE	MODEL NUMBER	PRODUCT GROUP
JANUARY 1995	8220 REVISED	FAN



REF.	ORIGINAL PART NO.	*PART DESCRIPTION	MODEL USED ON	CURRENT REPLACEMENT PART NO.
1	11245-001	GRILLE SCREW	8220	11245-001
2	17701-018	GRILLE ASSEMBLY	8220	17701-018
3	69028-000	"B" UNIT REF. NO'S 4, 5, AND 6	8220	69028-000
4	11829	MOTOR BRACKET	8220	11829-000
5	26750-SER	MOTOR	8220	2670-SER
6	11805	FAN BLADE	8220	11805-000
(PLEASE SEE OTHER SIDE)				

# NuTone

NuTone  
 Attn: Parts Department  
 Madison & Red Bank Rds.  
 Cincinnati, OH 45227-1599  
 Phone: (513) 527-5426  
 Fax: (513) 527-5173

NOTE: Always order by  
 current part number

REF.	ORIGINAL PART NO.	*PART DESCRIPTION	MODEL USED ON	CURRENT REPLACEMENT PART NO.
7	13306	HANGER BAR SET (2)	8220	13306-000
8	10941-005	"A" HOUSING	8220	10941-005
9	10247	OUTLET BOX COVER COMPLETE	8220	10247-000
10	10034	PLUG RECEPTACLE	8220	10034-000
11	10247-000	OUTLET BOX COVER	8220	10247-000
12	10473	OUTLET BOX (NOT SHOWN)	8220	10473-000
13	53194-000	CEILING MOUNTING BRACKET (SET OF 4)	8220	53194-000

↑

**NOTE: Always order by  
current part number**