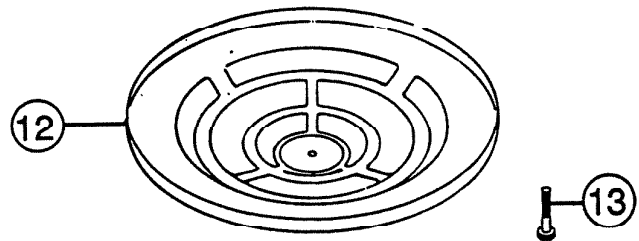
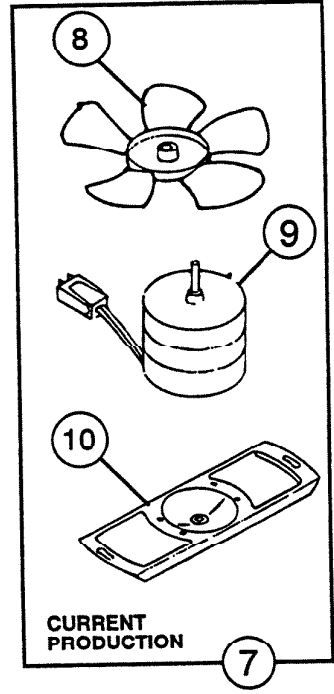
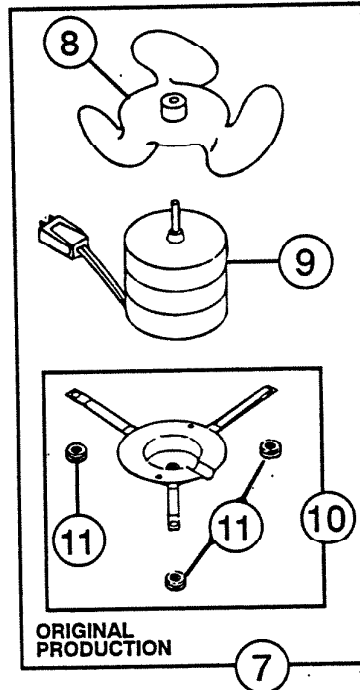
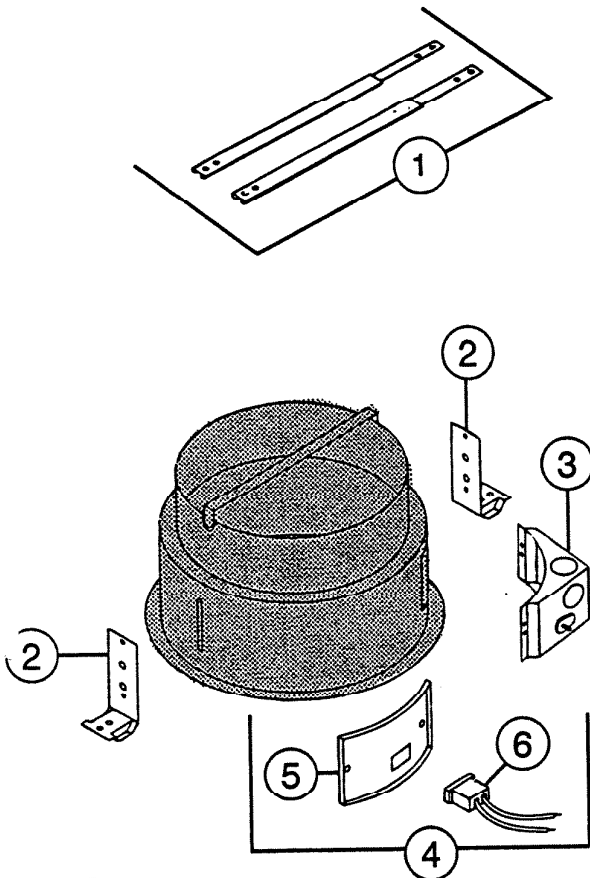


PARTS LIST

EFFECTIVE DATE	MODEL NUMBER	PRODUCT GROUP
JANUARY 1995	8200 REVISED	FAN



 NOT A PARTS DEPT. STOCK ITEM

REF.	ORIGINAL PART NO.	*PART DESCRIPTION	MODEL USED ON	CURRENT REPLACEMENT PART NO.
1	13307	HANGER BAR SET	8200	13306-000
	13308			
2	10949	CEILING MOUNTING BRACKET (SET OF 4)	8200	53194-000
3	10473	OUTLET BOX	8200	10473-000
4	10247	OUTLET BOX COVER ASSEMBLY	8200	10247-000
5	10177	OUTLET BOX COVER	8200	10247-000
(PLEASE SEE OTHER SIDE)				

NuTone

NuTone
 Attn: Parts Department
 Madison & Red Bank Rds.
 Cincinnati, OH 45227-1599
 Phone: (513) 527-5426
 Fax: (513) 527-5173

 NOTE: Always order by current part number

REF.	ORIGINAL PART NO.	*PART DESCRIPTION	MODEL USED ON	CURRENT REPLACEMENT PART NO.
6	10034	PLUG RECEPTACLE	8200	10034-000
7	69032	"B" UNIT	8200	ORIGINAL PRODUCTION VOID-NOT AVAILABLE
	16665			CURRENT PRODUCTION 16665-000
8	16631	FAN BLADE	8200	ORIGINAL PRODUCTION 16631-000
	27860			CURRENT PRODUCTION 68293-000
9	16633	MOTOR	8200	ORIGINAL PRODUCTION 16653-SER
	16666			CURRENT PRODUCTION 34417-000
10	10744	MOTOR BRACKET ASSEMBLY	8200	ORIGINAL PRODUCTION VOID-NOT AVAILABLE
	17674			CURRENT PRODUCTION 17674-000
11	10058	GROMMET SET (3)	8200	1241A-000
12	17718	GRILLE ASSEMBLY	8200	17701-018
13	11246	GRILLE SCREW	8200	12220-001
	17220			

↑

NOTE: Always order by current part number