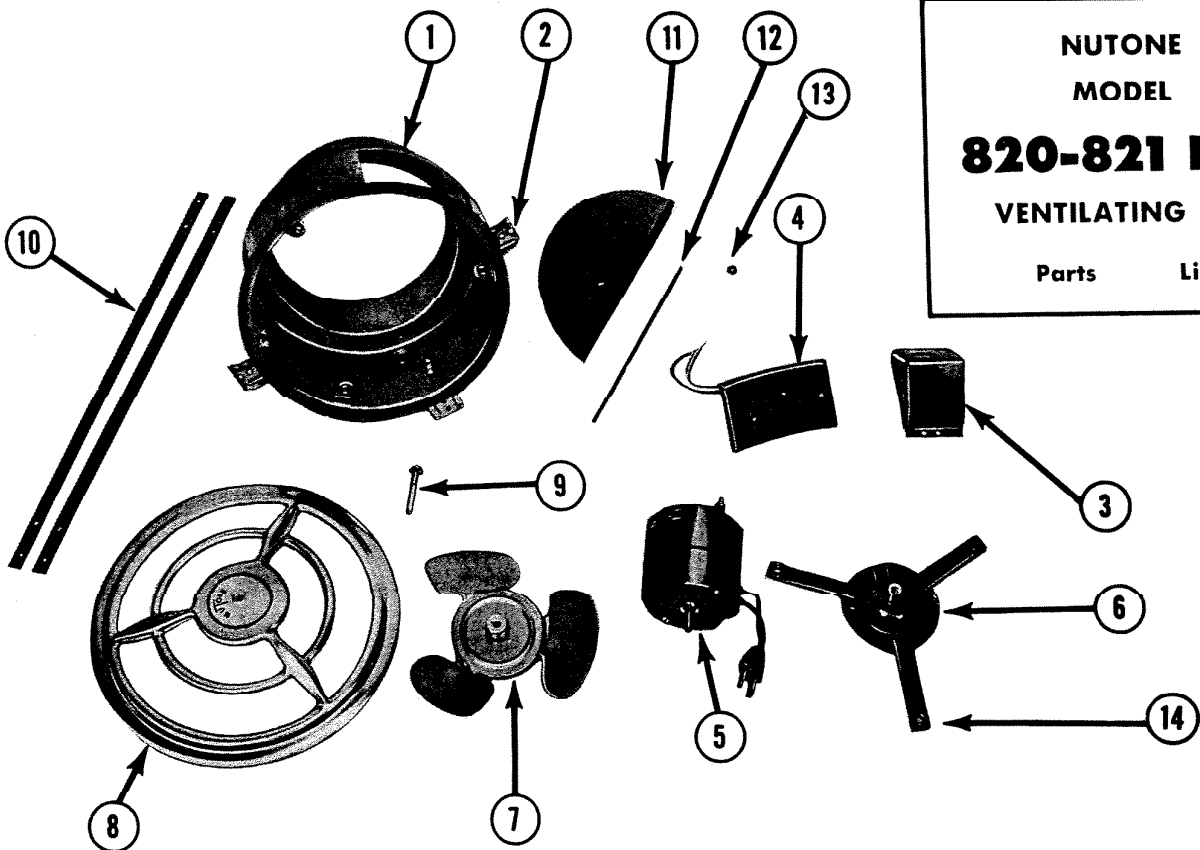


NUTONE
MODEL
820-821 NJF
VENTILATING FAN
 Parts List



Model		Description	
820 NJF		Aluminum Grille	
821 NJF		820 NJF Use 895 Damper Section 821 NJF Has Built-In Back Draft Damper	
ILLUSTR. NO.	PART NO.	PART DESCRIPTION	NOTES
821-NJF			
1	16834	Sleeve Assembly (includes Fan House and Damper Section)	
2	10949	Ceiling Mounting Brackets	
3	10473	Outlet Box	
4	10247	Outlet Box Cover Assembly	
5	16633	Motor	
6	10744	Motor Bracket Assembly	
7	16631	Blade Assembly	
8	16634	Grille Assembly	
9	11246	Grille Screw	
10	10174	Hanger Bars	
11	16754	Damper Section	
12	16755	Hinge Rod	
13	16756	Tinnerman Nut	
14	10058	Grommet (For Motor Bracket)	
820-NJF			
Same as 821-NJF with exception of sleeve assembly			
1	16831	Sleeve Assembly — (does not have damper section. Use 895 damper section)	

PRICES SUBJECT TO CHANGE WITHOUT NOTICE

Order Parts From: PARTS DEPT. C/O

NuTone