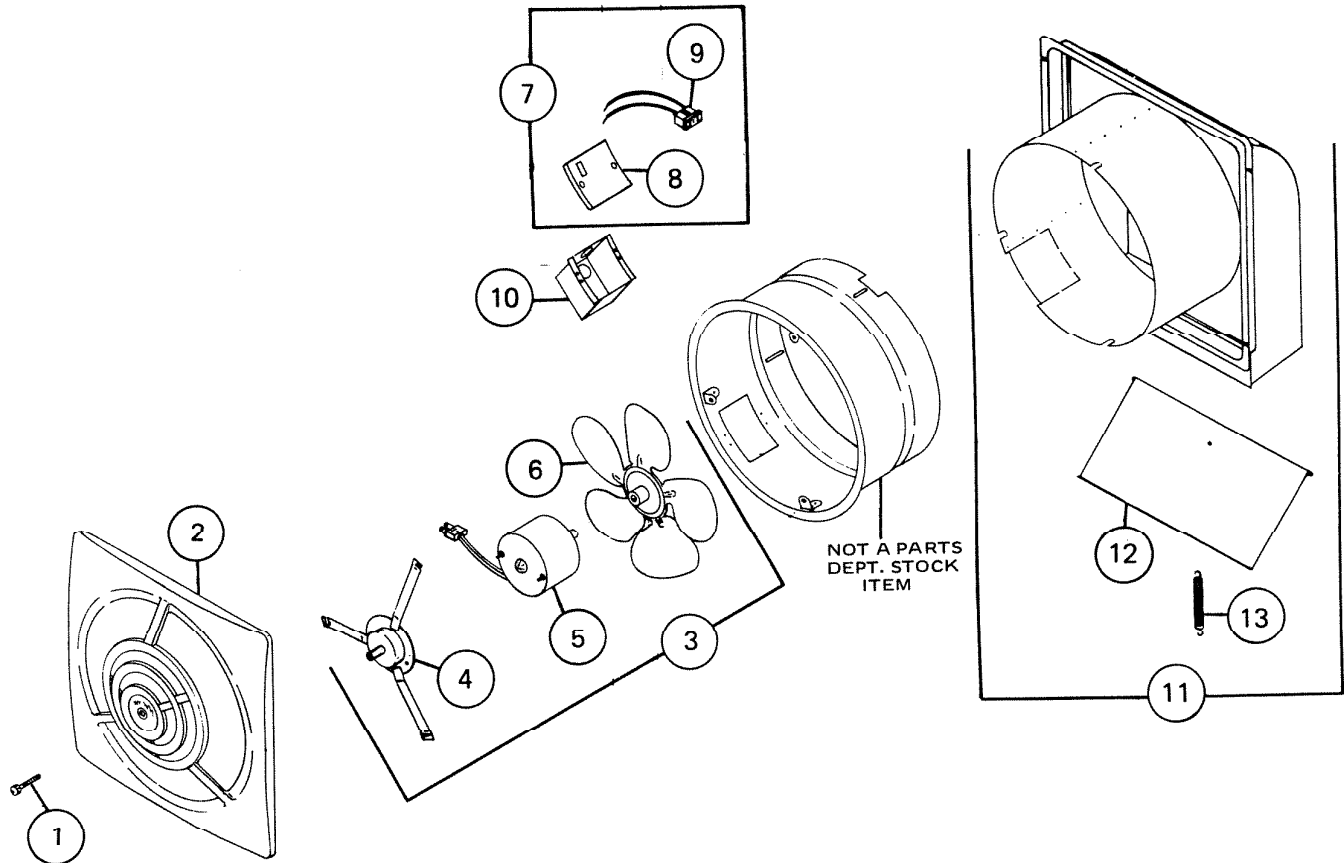


PARTS LIST

EFFECTIVE DATE	MODEL	PRODUCT GROUP
APRIL 1980	8190 REVISED	EXHAUST FANS



REF.	ORIGINAL PART NO.	* PART DESCRIPTION	MODEL USED ON	CURRENT REPLACEMENT PART NO.
1	12220	GRILLE SCREW	8190	12220-001
2	69002	GRILLE ASSEMBLY	8190	15807-000
3	69031	"B" UNIT ASSEMBLY	8190	69062-000
4	10862	MOTOR BRACKET ASSEMBLY	8190	64915-005
5	26754	MOTOR	8190	26754-SER
6	17757	FAN BLADE ASSEMBLY	8190	17757-000
		(PLEASE SEE OTHER SIDE)		

NuTone Division

NOTE: Always order by current part number.

PL - 8190

REF.	ORIGINAL PART NO.	* PART DESCRIPTION	MODEL USED ON	CURRENT REPLACEMENT PART NO.
7	69057	OUTLET COVER BOX ASSEMBLY	8190	69061-000
8	10879	OUTLET BOX COVER	8190	69061-000
9	10034	PLUG RECEPTACLE	8190	10034-000
10	10029	OUTLET BOX W/GROUND SCREW	8190	68608-000
11	12068	OUTSIDE SLEEVE, PANEL & HOOD ASSEMBLY	8190	12068-005
12	12069	LOUVER ASSEMBLY	8190	12069-005
13	12492	SPRING	8190	12492-000