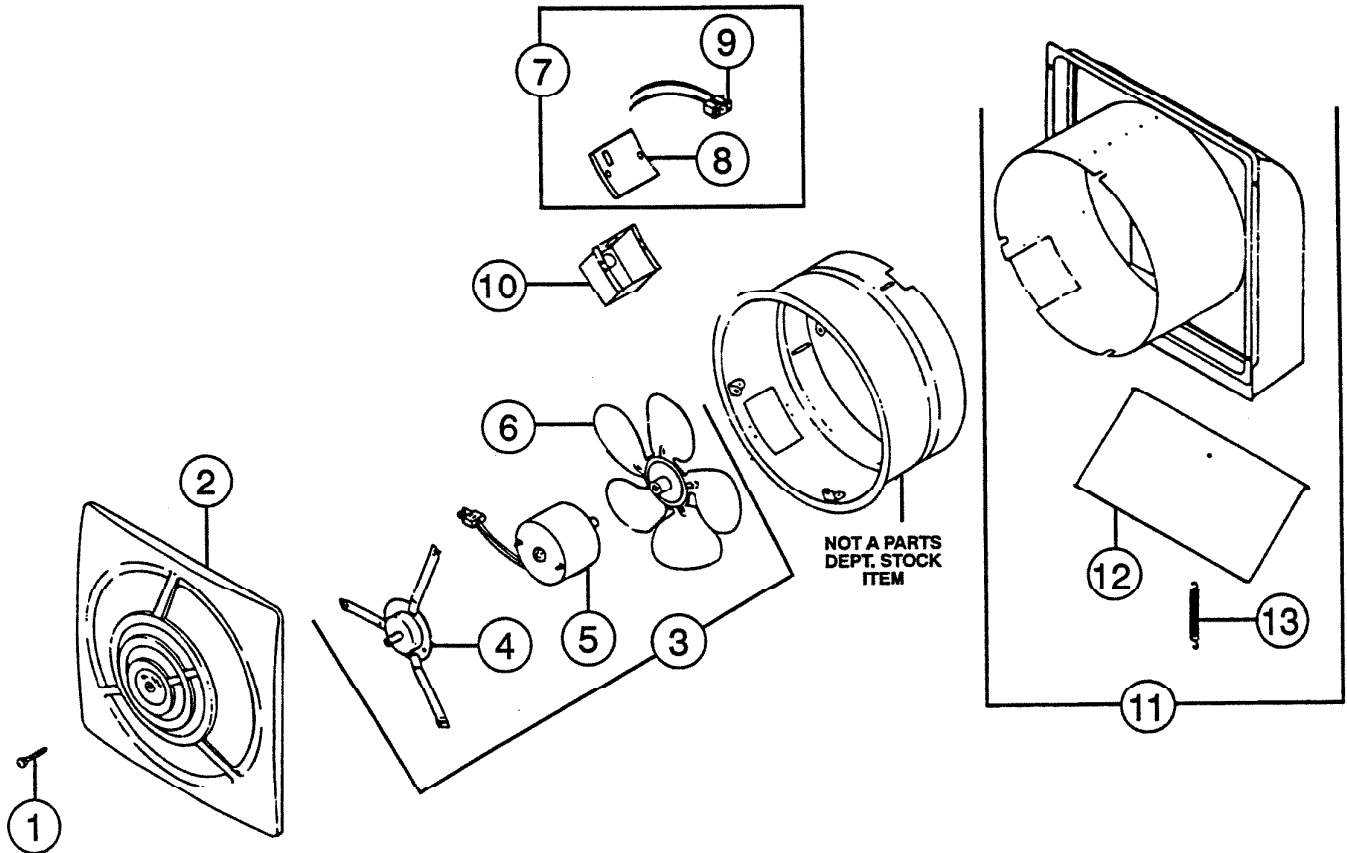


# PARTS LIST

| EFFECTIVE DATE | MODEL NUMBER              | PRODUCT GROUP |
|----------------|---------------------------|---------------|
| JANUARY 1995   | 8170<br>8170WH<br>REVISED | EXHAUST FANS  |




| REF.                    | ORIGINAL PART NO. | *PART DESCRIPTION      | MODEL USED ON | CURRENT REPLACEMENT PART NO. |
|-------------------------|-------------------|------------------------|---------------|------------------------------|
| 1                       | 12220             | GRILLE SCREW           | 8170          | 12220-001                    |
| 2                       | 69002             | GRILLE ASSEMBLY        | 8170          | 17707-018                    |
|                         |                   |                        |               | 17707-206                    |
| 3                       | 69031             | "B" UNIT ASSEMBLY      | 8170          | 69062-000                    |
| 4                       | 10862             | MOTOR BRACKET ASSEMBLY | 8170          | 64915-005                    |
| 5                       | 26754             | MOTOR                  | 8170          | 26754-SER                    |
| 6                       | 17757             | FAN BLADE ASSEMBLY     | 8170          | 17757-000                    |
| (PLEASE SEE OTHER SIDE) |                   |                        |               |                              |

# NuTone

NuTone  
 Attn: Parts Department  
 Madison & Red Bank Rds.  
 Cincinnati, OH 45227-1599  
 Phone: (513) 527-5426  
 Fax: (513) 527-5173

NOTE: Always order by  
 current part number

| REF. | ORIGINAL PART NO. | *PART DESCRIPTION                     | MODEL USED ON | CURRENT REPLACEMENT PART NO. |
|------|-------------------|---------------------------------------|---------------|------------------------------|
| 7    | 69057             | OUTLET BOX COVER ASSEMBLY             | 8170          | 69061-000                    |
| 8    | 10879             | OUTLET BOX COVER                      | 8170          | 69061-000                    |
| 9    | 10034             | PLUG RECEPTACLE                       | 8170          | 10034-000                    |
| 10   | 10029             | OUTLET BOX W/GROUND SCREW             | 8170          | 68608-000                    |
| 11   | 12061             | OUTSIDE SLEEVE, PANEL & HOOD ASSEMBLY | 8170          | 12061-005                    |
| 12   | 12069             | LOUVER ASSEMBLY                       | 8170          | 12069-000                    |
| 13   | 12492             | SPRING                                | 8170          | 12492-000                    |

  
**NOTE: Always order by current part number**