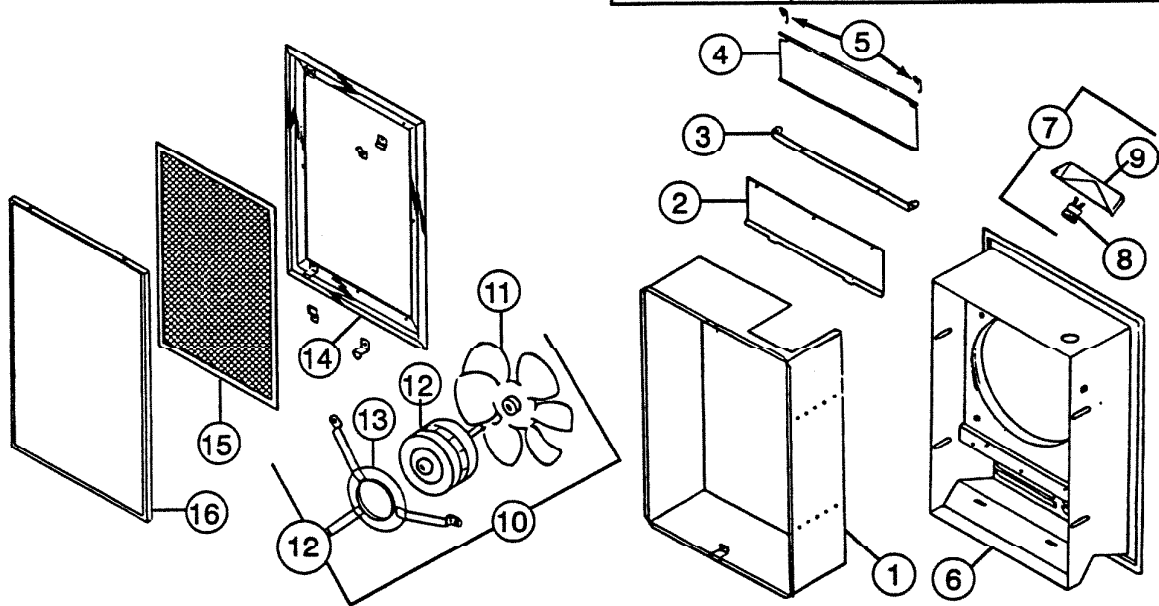


PARTS LIST

EFFECTIVE DATE	MODEL NUMBER	PRODUCT GROUP
JANUARY 1995	8150 REVISED	FAN



REF.	ORIGINAL PART NO.	*PART DESCRIPTION	MODEL USED ON	CURRENT REPLACEMENT PART NO.
1	23087	INSIDE SLEEVE ASSEMBLY	8150	Void - not avail.
2	23097	COVER PLATE	8150	Void - not avail.
3	23091	LOUVER FRAME	8150	Void - not avail.
4	23094	LOUVER ASSEMBLY	8150	Void - not avail.
5	26340	LOUVER SPRING (2 REQUIRED)	8150	26340-000
6	23081	HOUSING ASSEMBLY	8150	Void - not avail.
7	11119	OUTLET BOX ASSEMBLY	8150	11119-000
8	10034	PLUG RECEPTACLE	8150	10034-000
9	11120	OUTLET BOX	8150	11119-000
10	23098	POWER UNIT – Ref. No.'s 11, 12 & 13	8150	Void - not avail.
11	18760	FAN BLADE	8150	18760-000
12	26721	MOTOR	8150	26721-SER
13	18688	MOTOR BRACKET	8150	Void - not avail.
14	23101	INSIDE GRILLE ASSEMBLY	8150	Void - not avail.
15	23135	FILTER (MODEL 812)	8150	Void - not avail.
16	23105	INSIDE GRILLE PANEL	8150	Void - not avail.
17	23136	ENVELOPE ASSM. (Thumb screw) – Not Shown	8150	Void - not avail.

NuTone

NuTone
 Attn: Parts Department
 Madison & Red Bank Rds.
 Cincinnati, OH 45227-1599
 Phone: (513) 527-5426
 Fax: (513) 527-5173