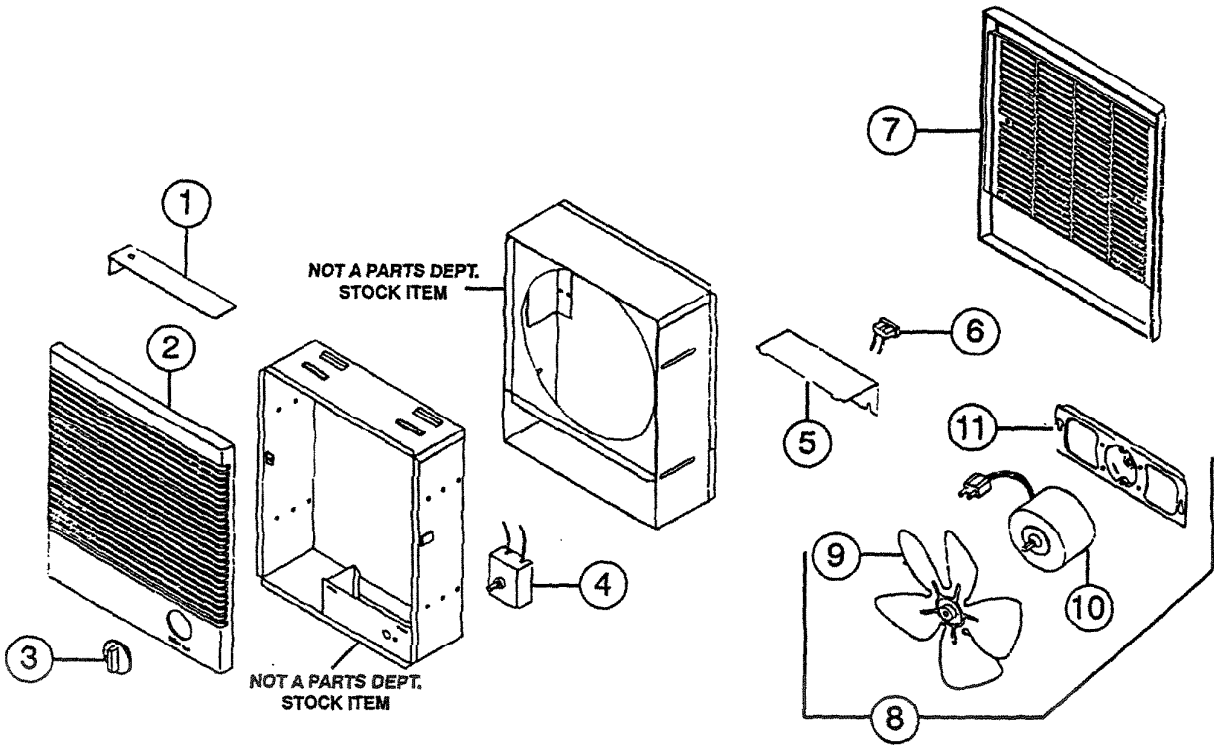


PARTS LIST

EFFECTIVE DATE	MODEL NUMBER	PRODUCT GROUP
JANUARY 1995	8145 REVISED	EXHAUST FANS



REF.	ORIGINAL PART NO.	*PART DESCRIPTION	MODEL USED ON	CURRENT REPLACEMENT PART NO.
1	15325	MOUNTING BRACKET (2)	8145	69102-000
2	52389	GRILLE WITH KNOCKOUT	8145	52467-000
3	52391	KNOB	8145	52391-000
4	68423	SPEED CONTROL	8145	68423-000
5	52385	WIRING BOX COVER	8145	52385-000
6	10034	PLUG RECEPTACLE	8145	10034-000
7	52388	GRILLE	8145	52467-000
(PLEASE SEE OTHER SIDE)				

NuTone

NuTone
 Attn: Parts Department
 Madison & Red Bank Rds.
 Cincinnati, OH 45227-1599
 Phone: (513) 527-5426
 Fax: (513) 527-5173

↑

NOTE: Always order by current part number

REF.	ORIGINAL PART NO.	*PART DESCRIPTION	MODEL USED ON	CURRENT REPLACEMENT PART NO.
8	52387	MOTOR, BRACKET, & BLADE ASSEMBLY	8145	52387-000
9	11805	FAN BLADE ASSEMBLY	8145	11805-000
10	26750	MOTOR	8145	26750-SER
11	11839	MOTOR BRACKET	8145	11839-000
—	52468	HARDWARE CONTAINS KNOB & BAG SCREWS FOR MOUNTING	8145	52468-000

NOTE: Always order by
current part number