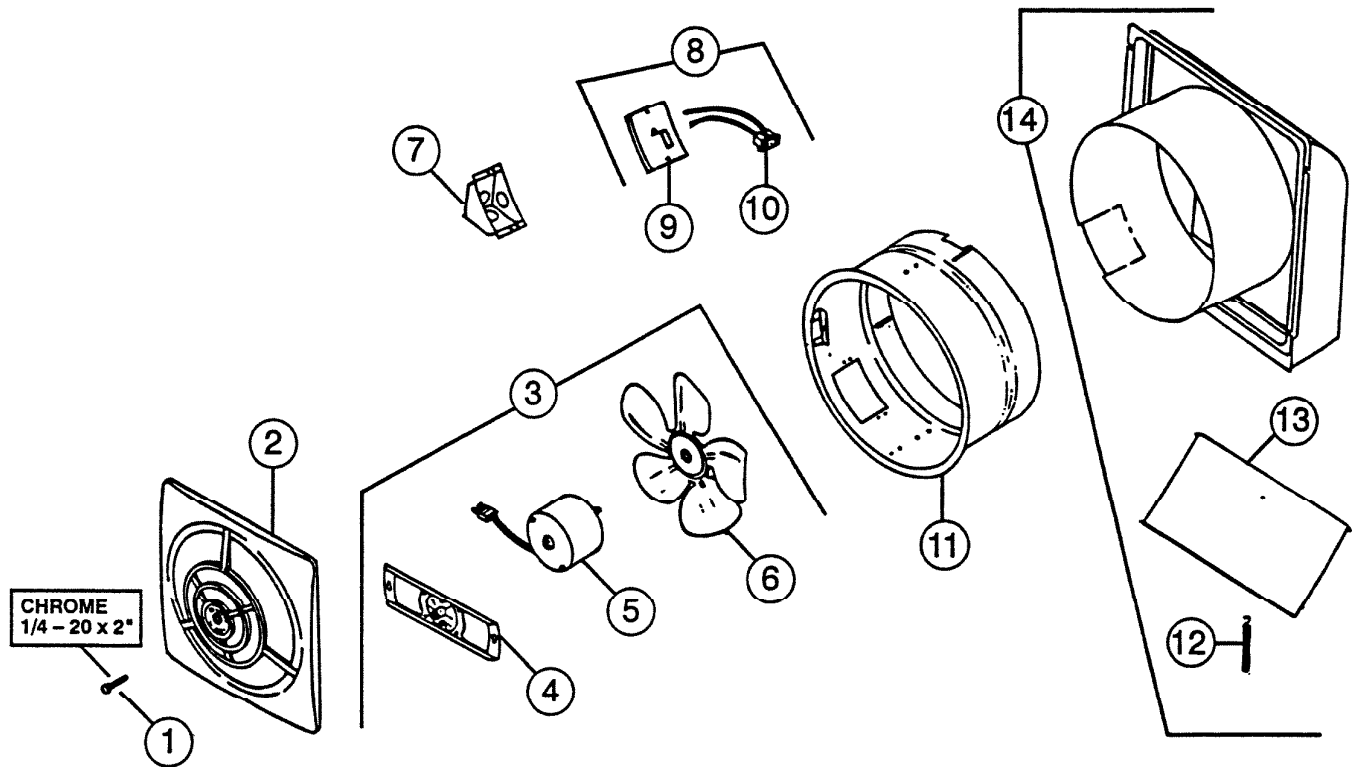


# PARTS LIST

EFFECTIVE DATE	MODEL NUMBER	PRODUCT GROUP
JANUARY 1995	8060 thru 8090 REVISED 8070N NEW	FAN



REF.	ORIGINAL PART NO.	*PART DESCRIPTION	MODEL USED ON	CURRENT REPLACEMENT PART NO.
1	11245	GRILLE SCREW 1/4" — 20 x 2"	8060 thru 8090 8070N	11245-001
2	17712	GRILLE ASSEMBLY	8060 thru 8090	17703-018
	17713			WHITE
3	69028	"B" UNIT (MOTOR, BLADE & BRACKET)	8060 thru 8090	69028-000
			8070N	0432A-000
4	11829	MOTOR BRACKET ASSEMBLY	8060 thru 8090	11829-000
			8070N	
(PLEASE SEE OTHER SIDE)				

# NuTone

NuTone  
 Attn: Parts Department  
 Madison & Red Bank Rds.  
 Cincinnati, OH 45227-1599  
 Phone: (513) 527-5426  
 Fax: (513) 527-5173

↑

**NOTE: Always order by current part number**

REF.	ORIGINAL PART NO.	*PART DESCRIPTION	MODEL USED ON	CURRENT REPLACEMENT PART NO.
5	26750	MOTOR	8060 thru 8090	<b>26750-SER</b>
			8070N	<b>35107-000</b>
6	11805	FAN BLADE	8060 thru 8090	<b>11805-000</b>
			8070N	<b>35108-000</b>
7	10473	OUTLET BOX	8060 thru 8090	<b>10473-000</b>
			8070N	
8	10247	OUTLET BOX COVER ASSEMBLY	8060 thru 8090	<b>10247-000</b>
			8070N	
9	10177	OUTLET BOX PLATE	8060 thru 8090	<b>10247-000</b>
			8070N	
10	10034	PLUG RECEPTACLE	8060 thru 8090	<b>10034-000</b>
			8070N	
11	12046	INSIDE SLEEVE ASSEMBLY	8060 thru 8090	<b>12046-005</b>
			8070N	
12	12492	LOUVER SPRING	8060 thru 8090	<b>12492-000</b>
			8070N	
13	12069	LOUVER ASSEMBLY	8060 thru 8090	<b>12069-000</b>
			8070N	
14	10820	SLEEVE, PANEL AND HOOD ASSEMBLY	8060, 8070, 8070N	<b>10820-005</b>
	10831		8080, 8090	<b>VOID-NOT AVAILABLE</b>

↑

**NOTE: Always order by current part number**