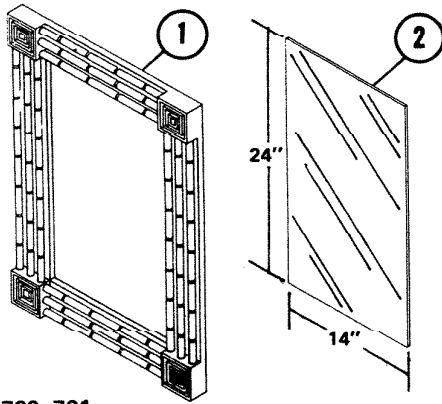
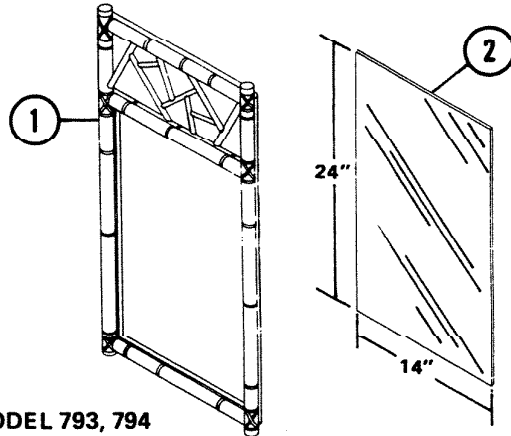


PARTS LIST

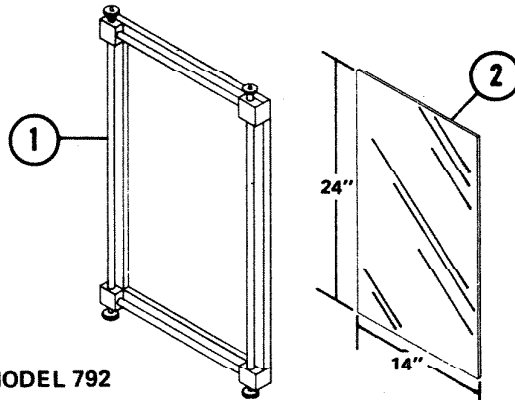
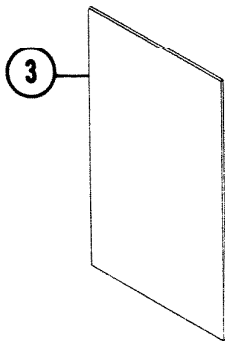
EFFECTIVE DATE	MODEL	PRODUCT GROUP
JULY 1978	790, 791 792, 793, 794 REVISED	BATH CABINET



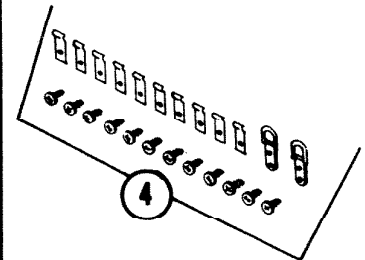
MODEL 790, 791



MODEL 793, 794



MODEL 792



REF.	ORIGINAL PART NO.	* PART DESCRIPTION	MODEL USED ON	CURRENT REPLACEMENT PART NO.		
1	93674	FRAME	NATURAL	790	93674-306	
	93674		RED	791	93674-308	
	93764		-----	792	93764-000	
	93691		NATURAL	793	69794-000	
	93691		GREEN	794	69795-000	
2	90106	MIRROR NOTE: MIRROR MAY BE PURCHASED FROM LOCAL GLASS SHOP	SIZE	1/4" x 14" x 24" PLATE	790, 791	90106-000
	93058			1/4" x 14" x 24"	792, 793, 794	93058-000
3	93204	BACKING	790, 791	93204-000		
	93206		792, 793, 794	93206-000		
4	91364	MIRROR HANGER KIT	790, 791 792, 793, 794	69791-000		

NuTone

NOTE: Always order by current part number.