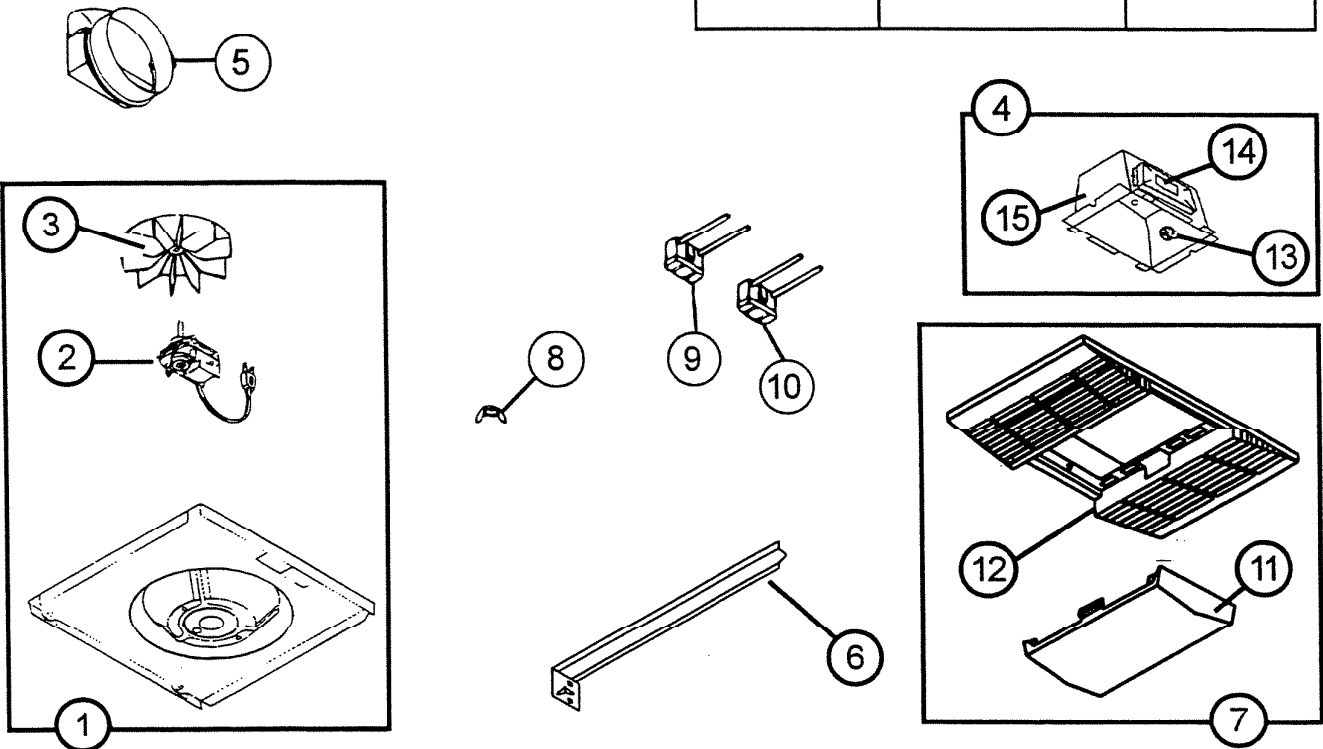


# PARTS LIST

EFFECTIVE DATE	MODEL NUMBER	PRODUCT GROUP
JULY 1998	770F	FAN



REF.	ORIGINAL PART NO.	PART DESCRIPTION	MODEL USED ON	CURRENT REPLACEMENT PART NO.
1	0684B	POWER UNIT ASSEMBLY	770F	0684B-000
2	87547	MOTOR	770F	87547-000
3	68739	BLOWER WHEEL	770F	68739-000
4	88730	REFLECTOR ASSEMBLY	770F	88730-000
5	30652	DUCT ADAPTER ASSEMBLY	770F	30652-000
6	44388	HANGER BAR (1)	770F	44388-000
7	85315	GRILLE AND LENS ASSEMBLY	770F	85315-000
8	16133	WING NUT	770F	16133-000
9	10034	FAN RECEPTACLE	770F	10034-000
10	82304	LIGHT RECEPTACLE	770F	82304-000
11	89108	LENS	770F	891 08-000
12	85316	GRILLE	770F	85316-000
13	85978	LAMPHOLDER	770F	85978-000
14	89378	BALLAST	770F	89378-000
15	88555	REFLECTOR	770F	88555-206

# NuTone

NuTone  
 Attn: Parts Department  
 Madison & Red Bank Rds.  
 Cincinnati, OH 45227-1599  
 Phone: (513) 527-5426  
 Fax: (513) 527-5173

NOTE: Always order by  
 current part number

770F I I.