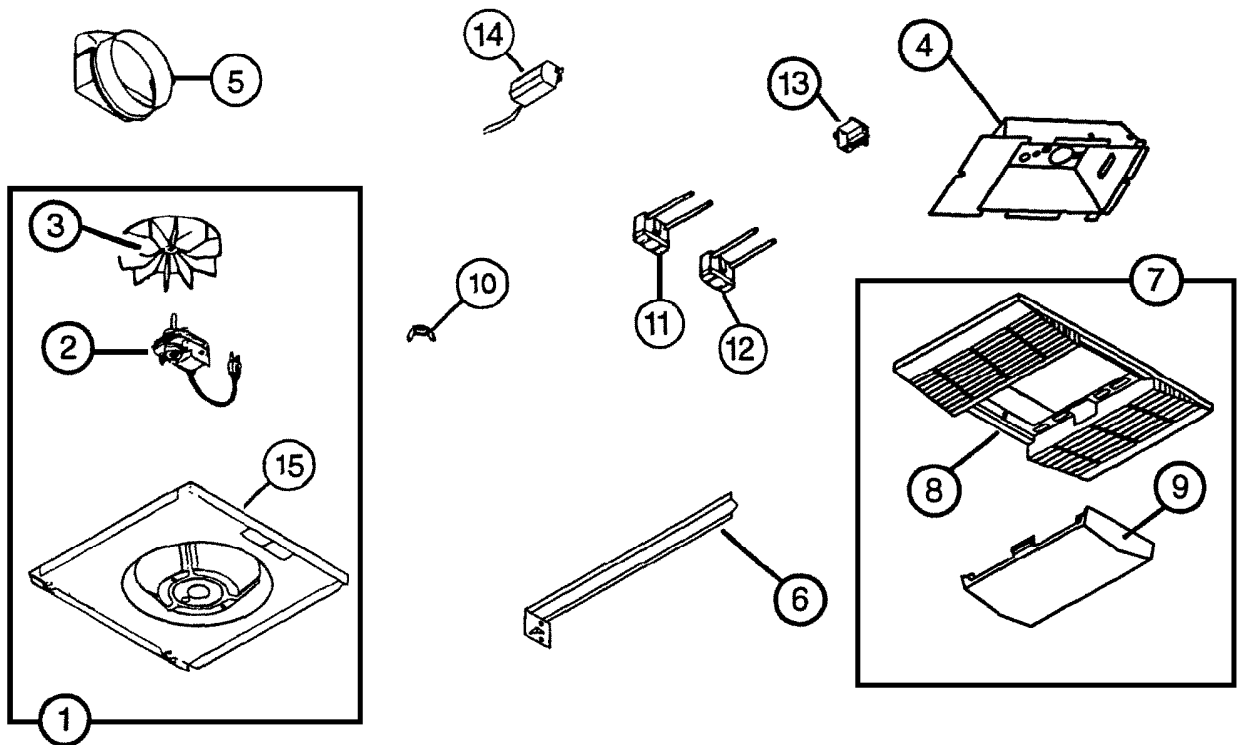


PARTS LIST

EFFECTIVE DATE	MODEL NUMBER	PRODUCT GROUP
	769RF	FAN



REF.	ORIGINAL PART NO.	PART DESCRIPTION	MODEL USED ON	CURRENT REPLACEMENT PART NO.
1	87546	POWER UNIT ASSEMBLY	769RF	87546-000
2	87547	MOTOR	769RF	87547-000
3	68739	BLOWER WHEEL	769RF	82403-000
4	87549	REFLECTOR ASSEMBLY	769RF	87549-000
5	30652	DUCT ADAPTER ASSEMBLY	769RF	30652-000
6	44388	HANGER BAR (1)	769RF	44388-000
7	85315	GRILLE AND LENS ASSEMBLY	769RF	85315-000
8	85316	GRILLE	769RF	85316-000
9	89108	LENS	769RF	89108-000
10	16133	WING NUT	769RF	16133-000
11	10034	FAN RECEPTACLE	769RF	10034-000
12	82304	LIGHT RECEPTACLE	769RF	82304-000
13	89877	LAMP SOCKET	769RF	89877-000
14	85353	BALLAST	769RF	85353-000
15	86863	MOTOR MOUNTING BRACKET	769RF	86863-000

NuTone

NuTone
 Attn: Parts Department
 Madison & Red Bank Rds.
 Cincinnati, OH 45227-1599
 Phone: (513) 527-5426
 Fax: (513) 527-5173

↑

NOTE: Always order by current part number