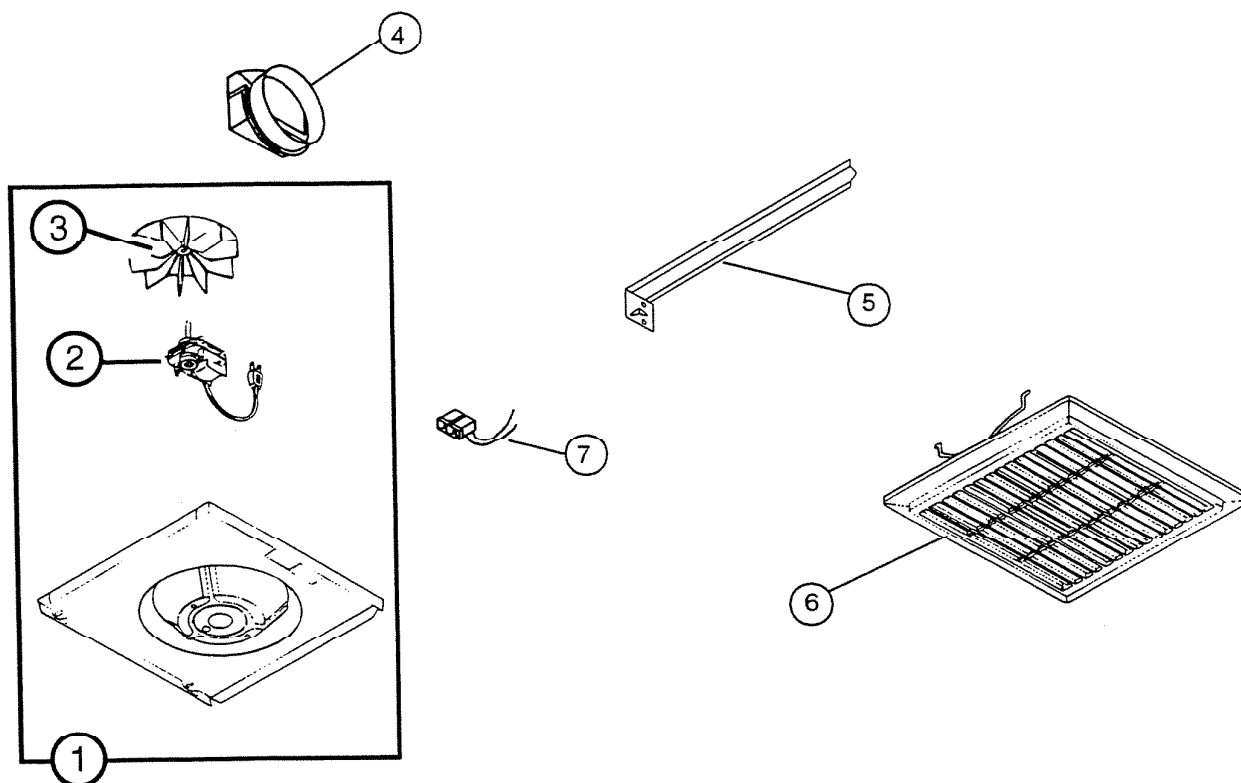


# PARTS LIST

EFFECTIVE DATE	MODEL NUMBER	PRODUCT GROUP
AUGUST 1998	756, 757	FAN



REF.	ORIGINAL PART NO.	PART DESCRIPTION	MODEL USED ON	CURRENT REPLACEMENT PART NO.
1	0503B	POWER UNIT ASSEMBLY	756	0503B-000
	0504B		757	0504B-000
2	86677	MOTOR	756	86677-000
	87547		757	87547-000
3	89914	BLOWER WHEEL	756	89914-000
	68739		757	68739-000
4	30652	DUCT ADAPTER ASSY	756, 757	30652-000
5	44388	HANGER BAR (1) (4 required)	756, 757	44388-000
6	56885	GRILLE AND SPRING ASSY	756, 757	56885-000
7	10034	RECEPTACLE	756, 757	10034-000

756, 757 I.I.

# NuTone

NuTone  
 Attn: Parts Department  
 Madison & Red Bank Rds.  
 Cincinnati, OH 45227-1599  
 Phone: (513) 527-5426  
 Fax: (513) 527-5173

↑  
**NOTE: Always order by current part number**