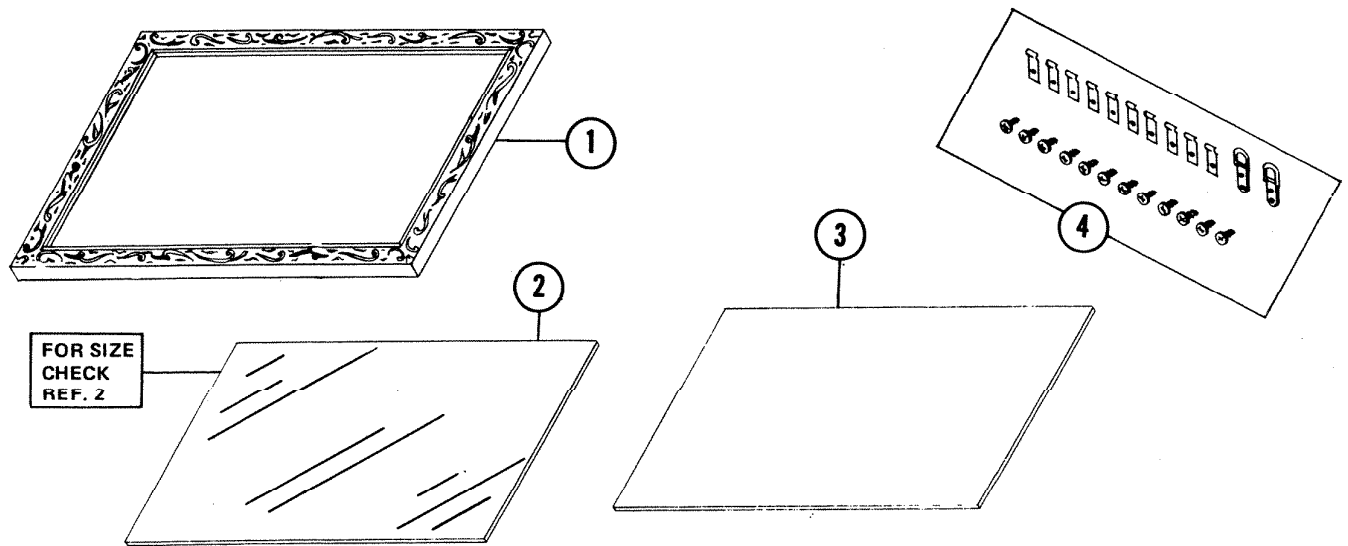


PARTS LIST

EFFECTIVE DATE	MODEL	PRODUCT GROUP
JUNE 1978	750G THROUGH 759 REVISED	BATH CABINET



REF.	ORIGINAL PART NO.	* PART DESCRIPTION	MODEL USED ON	CURRENT REPLACEMENT PART NO.	
1	92665	FRAME	SILVER	750G	94182-317
	92666		SILVER	751	94183-317
	92667		SILVER	752	94184-317
	92668		SILVER	753	92668-000
	92669		SILVER	754	92669-000
	92670		GOLD	755	94182-318
	92671		GOLD	756	94183-318
	92672		GOLD	757	94184-318
	92673		GOLD	758	92673-000
	92674		GOLD	759	92674-000
	2		91289	MIRROR NOTE: MIRROR MAY BE PURCHASED FROM LOCAL GLASS SHOP	1/4" x 22" x 22"
755					
91303		1/4" x 22" x 28"	751		91303-000
756					
	91312		1/4" x 22" x 34"	752	91312-000
				757	
		(PLEASE SEE OTHER SIDE)			

NuTone Division

↑
NOTE: Always order by
current part number.

REF.	ORIGINAL PART NO.	* PART DESCRIPTION		MODEL USED ON	CURRENT REPLACEMENT PART NO.	
2	91321	MIRROR	SIZE	1/4" x 22" x 40"	753 758	91321-000
	91330			1/4" x 22" x 46"	754 759	Purchase At Local Glass Shop
3	94350	BACKING		750G 755	94350-000	
	90028			751 756	94351-000	
	94351			752 757	94352-000	
	90028			753, 754 758, 759	90028-000	
4	91364	MIRROR HANGER KIT		750G, 751 752, 753 754, 755 756, 757 758, 759	69791-000	