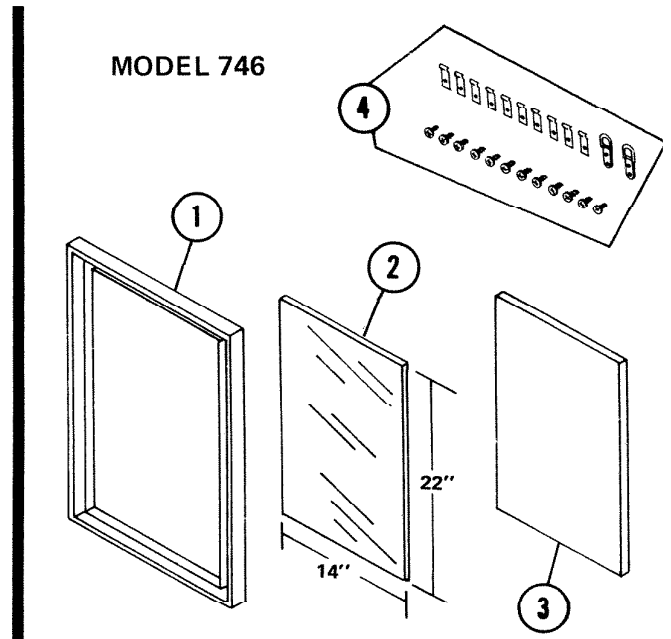
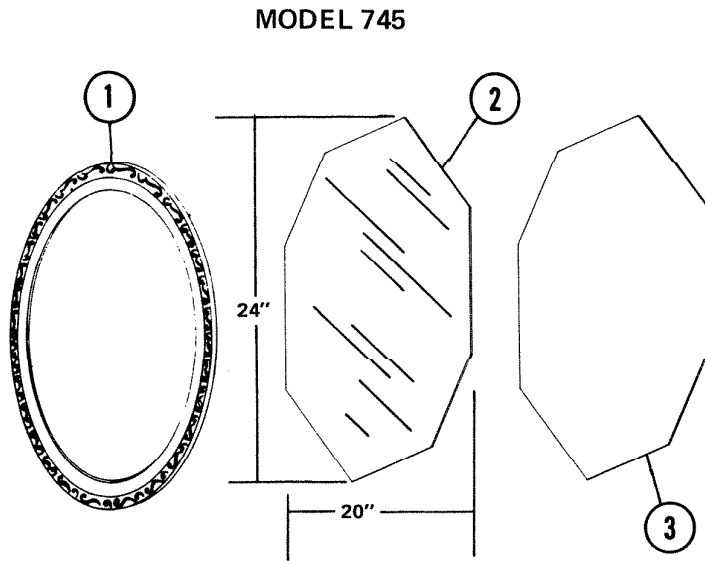


PARTS LIST

EFFECTIVE DATE	MODEL	PRODUCT GROUP
JUNE 1978	745, 746 REVISED	BATH CABINET



REF.	ORIGINAL PART NO.	* PART DESCRIPTION	MODEL USED ON	CURRENT REPLACEMENT PART NO.	
1	90023	FRAME	WHITE	745	90023-000
	90111		ANTIQUE GOLD	746	90111-000
2	90025	MIRROR NOTE MIRROR MAY BE PURCHASED FROM LOCAL GLASS SHOP	SIZE 1/4" x 20" x 24"	745	90025-000
	90106		1/4" x 14" x 22"	746	90106-000
3	93199	BACKING	745	93199-000	
	93204		746	93204-000	
4	91364	MIRROR HANGER KIT	745 746	69791-000	

NuTone

NOTE: Always order by current part number.