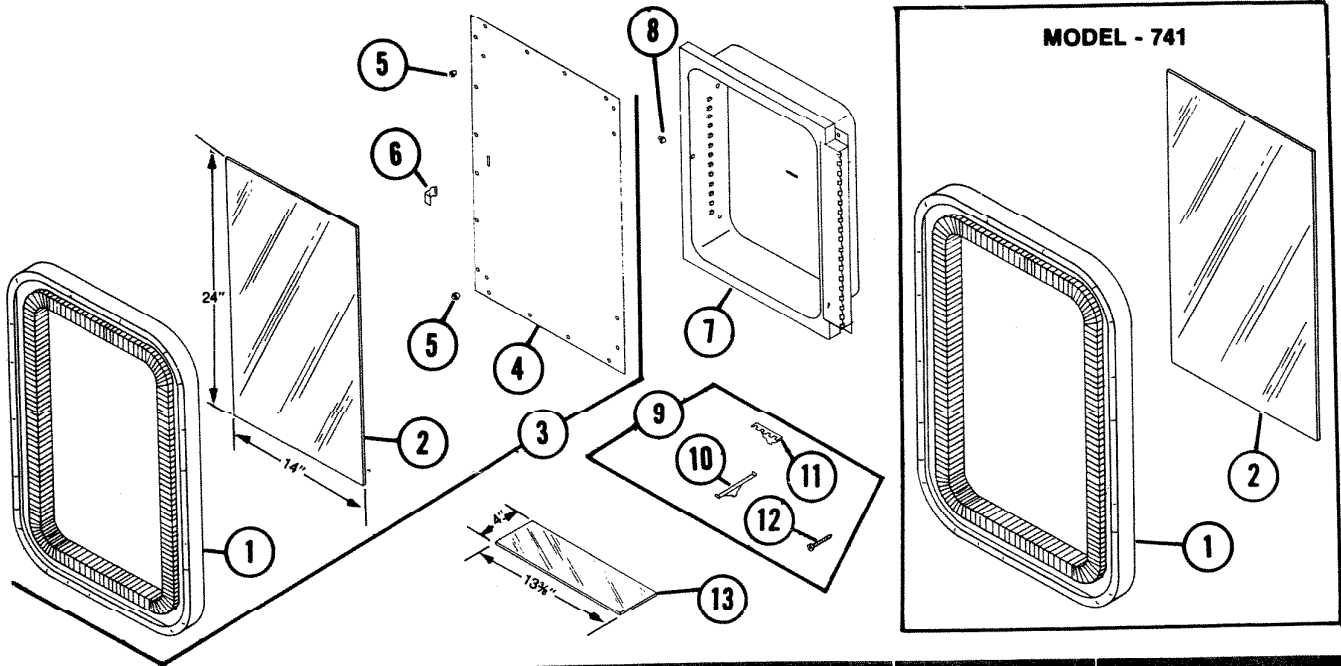


# PARTS LIST

<b>MODEL</b>	D-76 D-77 BATH CABINET 741
<b>EFFECTIVE DATE</b>	JANUARY 1976



REF.	ORIGINAL PART NO.	* PART DESCRIPTION	MODEL USED ON	CURRENT REPLACEMENT PART NO.
1	94060	Frame Assy.	D-76 D-77 741	94060-000
2	93058	Mirror 14" x 24"	D-76 D-77 741	93058-000
—	93206	Mirror Backing (Not Shown)	741	93206-000
—	91364	Hanger (1) 2 Required (Not Shown)	741	91364-000
3	94065	Door Assy.	D-76 D-77	94065-000
4	93949	Door Back & Hinge Assy.	D-76 D-77	93949-206
5	90069	Bumper (1) 2 Required	D-76 D-77	90069-000
6	90067	Catch - Door	D-76 D-77	90067-000
7	93943	Body Assy.	D-76	93943-206
	93944		D-77	93944-206
8	90555	Catch Bullet	D-76 D-77	90555-000
Please See Other Side				

**NuTone Division**

Order Parts From:  
Parts Department c/o NuTone  
P.O. Box 27 • Cincinnati, Ohio 45227

↑

**NOTE:** Always order by current part number

REF.	ORIGINAL PART NO	* PART DESCRIPTION		MODEL USED ON	CURRENT REPLACEMENT PART NO.
9	90141	Hardware Set		D-76	90141-000
	92268			D-77	92268-000
10	90039	Shelf Support (1)		D-76 D-77	90039-000
11	92264	Tooth Brush Holder		D-76 D-77	92264-000
12	69781	Screw Set (6) Mtg.		D-76 D-77	69781-000
13	90043	Shelf/Bundle 4" x 13 3/4"	One	D-76 D-77	90043-000
	90042		Set of 2	D-76	90042-000
	93955		Set of 3	D-77	93955-000