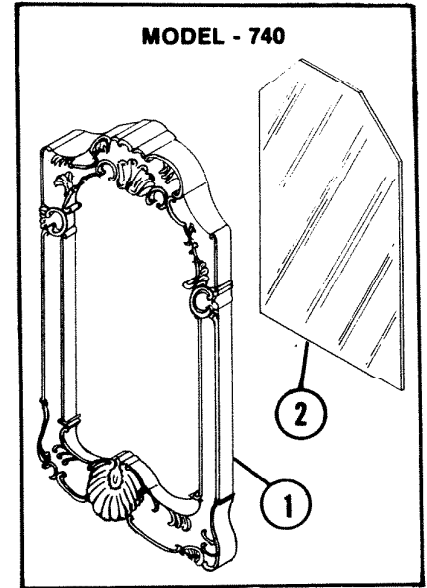
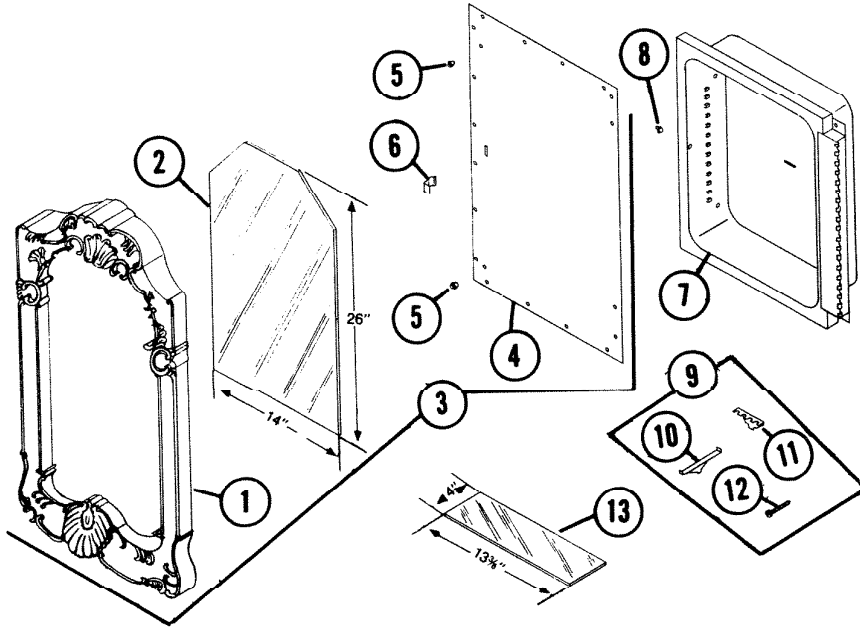


PARTS LIST

MODEL	D-74 D-75 BATH CABINET 740
EFFECTIVE DATE	JANUARY, 1976



REF.	ORIGINAL PART NO.	* PART DESCRIPTION	MODEL USED ON	CURRENT REPLACEMENT PART NO.
1	94048	Frame	D-74 D-75 740	94048-313
2	93049	Mirror 14" x 26"	D-74 D-75 740	93049-000
—	93202	Mirror Backing (Not Shown)	740	93202-000
—	91364	Hanger (1) (2 Required Not Shown)	740	91364-000
3	94051	Door Assy. Ref. no's 1, 2, 4, 5 & 6	D-74 D-75	94051-000
4	94043	Door Backs & Hinge Assy.	D-74 D-75	94043-206
5	90069	Bumper (1) 2 Required	D-74 D-75	90069-000
6	90067	Catch - Door	D-74 D-75	90067-000
7	93931	Body Assy.	D-74	93931-206
	93932		D-75	93932-206
8	90555	Catch - Bullet	D-74, D-75	90555-000
Please See Other Side				

NuTone Division

Order Parts From:
Parts Department c/o NuTone
P.O. Box 27 • Cincinnati, Ohio 45227

↑
NOTE: Always order by current part number.

REF.	ORIGINAL PART NO.	* PART DESCRIPTION	MODEL USED ON	CURRENT REPLACEMENT PART NO.	
9	90141	Hardware Set	D-74	90141-000	
	92268		D-75	92268-000	
10	90039	Shelf Support (1)	D-74 D-75	90039-000	
11	92264	Tooth Brush Holder	D-74 D-75	92264-000	
12	69781	Screw Set (6) Mtg.	D-74 D-75	69781-000	
13	90043	Shelf/Bundle 4" x 13 $\frac{3}{8}$ "	One	D-74 D-75	90043-000
	90042		Set of 2	D-74	90042-000
	93955		Set of 3	D-75	93955-000