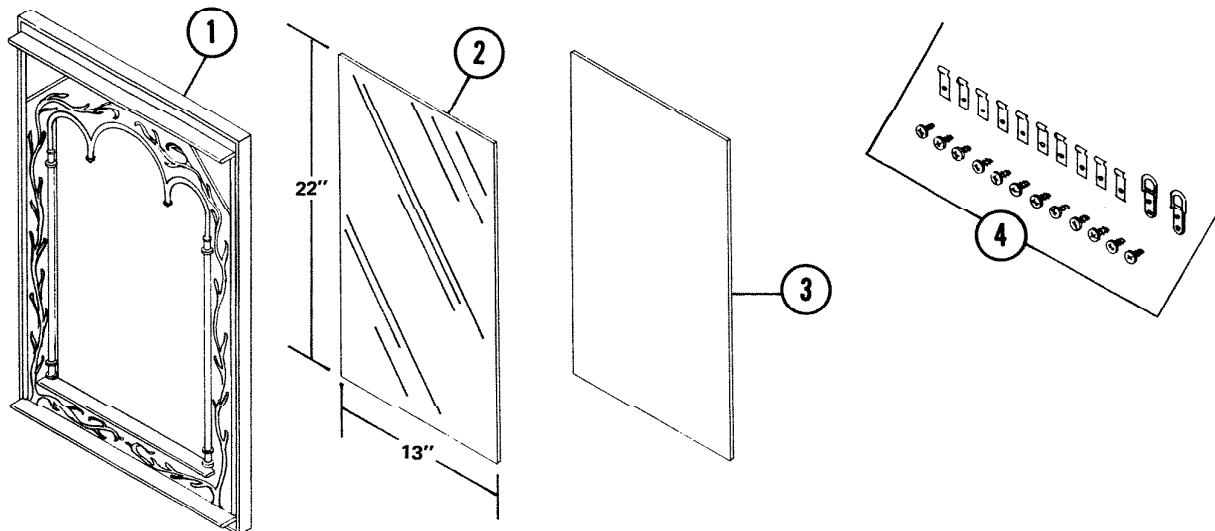


PARTS LIST

EFFECTIVE DATE	MODEL	PRODUCT GROUP
JULY 1978	722 REVISED	BATH CABINET



REF.	ORIGINAL PART NO.	* PART DESCRIPTION	MODEL USED ON	CURRENT REPLACEMENT PART NO.
1	93246	FRAME GOLD & WHITE	722	93246-266
2	93248	MIRROR NOTE: MIRROR MAY BE PURCHASED FROM LOCAL GLASS SHOP SIZE: 1/4" x 13" x 22"	722	93248-000
3	93249	BACKING	722	93249-000
4	91364	MIRROR HANGER KIT	722	69791-000

NuTone

NOTE: Always order by current part number.