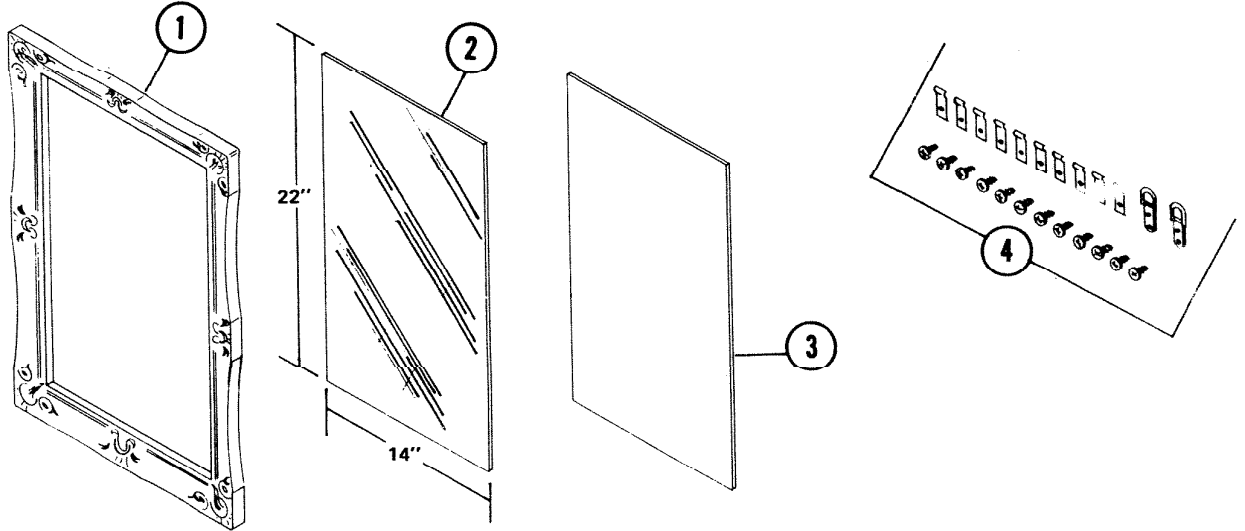


PARTS LIST

EFFECTIVE DATE	MODEL	PRODUCT GROUP
JULY 1978	711G REVISED	BATH CABINET



REF.	ORIGINAL PART NO.	* PART DESCRIPTION	MODEL USED ON	CURRENT REPLACEMENT PART NO.
1	90573	FRAME WHITE	711G	90573-000
2	90106	MIRROR NOTE MIRROR MAY BE PURCHASED FROM LOCAL GLASS SHOP SIZE: 1/4" x 14" x 22"	711G	90106-000
3	93204	BACKING	711G	93204-000
4	91364	MIRROR HANGER KIT	711G	69791-000

NuTone Division

↑
NOTE: Always order by current part number.