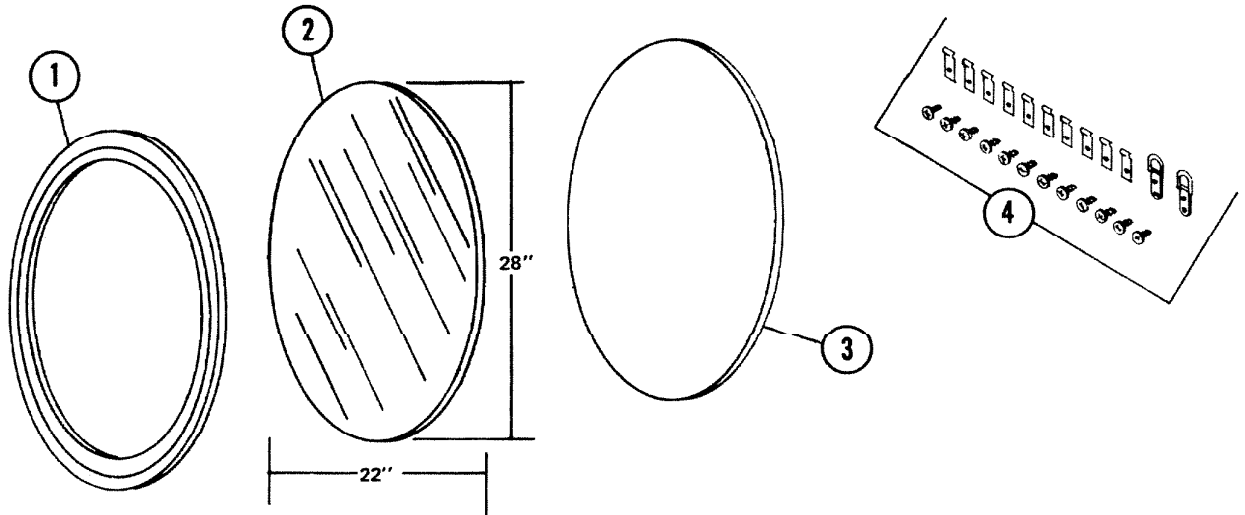


# PARTS LIST

EFFECTIVE DATE	MODEL	PRODUCT GROUP
JULY 1978	708 REVISED	BATH CABINETS



REF.	ORIGINAL PART NO.	* PART DESCRIPTION	MODEL USED ON	CURRENT REPLACEMENT PART NO.
1	91419	FRAME ANTIQUE GOLD	708	91419-212
2	91420	MIRROR NOTE MIRROR MAY BE PURCHASED FROM LOCAL GLASS SHOP SIZE: 1/4" x 22" x 28" PLATE	708	91420-000
3	92135	BACKING	708	92135-000
4	93164	MIRROR HANGER KIT	708	69791-000

NuTone

↑  
NOTE: Always order by current part number.