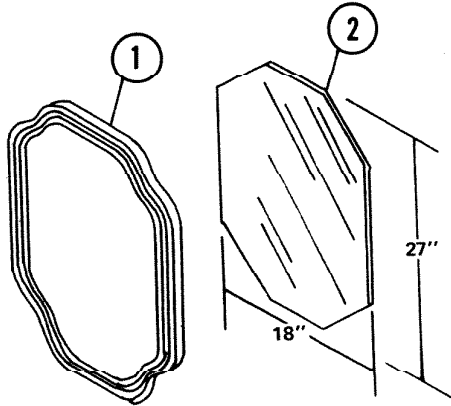
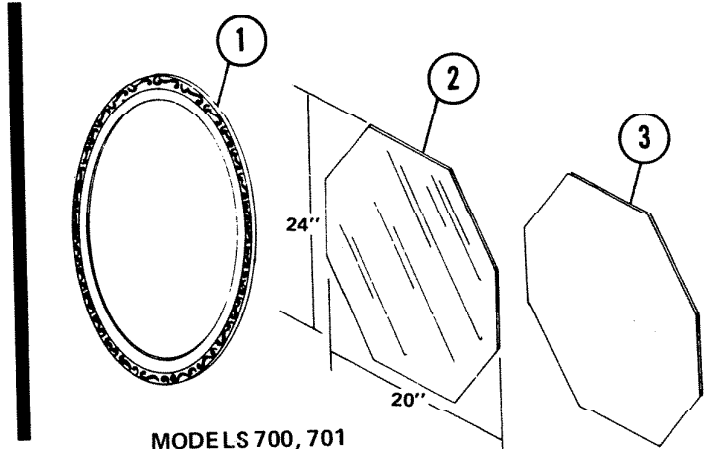


PARTS LIST

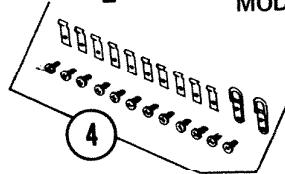
EFFECTIVE DATE	MODEL	PRODUCT GROUP
JULY 1978	700, 701, 702 REVISED	BATH CABINET



MODEL 702



MODELS 700, 701



REF.	ORIGINAL PART NO.	* PART DESCRIPTION		MODEL USED ON	CURRENT REPLACEMENT PART NO.	
1	90021	FRAME	GOLD	700	94174-316	
	90022		-----	701	VOID NOT AVAILABLE	
	90152		ANTIQUE GOLD	702	94181-316	
2	90025	MIRROR NOTE: MIRROR MAY BE PURCHASED FROM LOCAL GLASS SHOP.	SIZE	1/4" x 20" x 24"	700, 701	90025-000
	90153			1/4" x 18" x 27"	702	90153-000
3	93199	BACKING		700, 701	93199-000	
	93200			702	93200-000	
4	91364	MIRROR HANGER SET		700, 701 702	69791-000	

NuTone Division

NOTE: Always order by current part number.