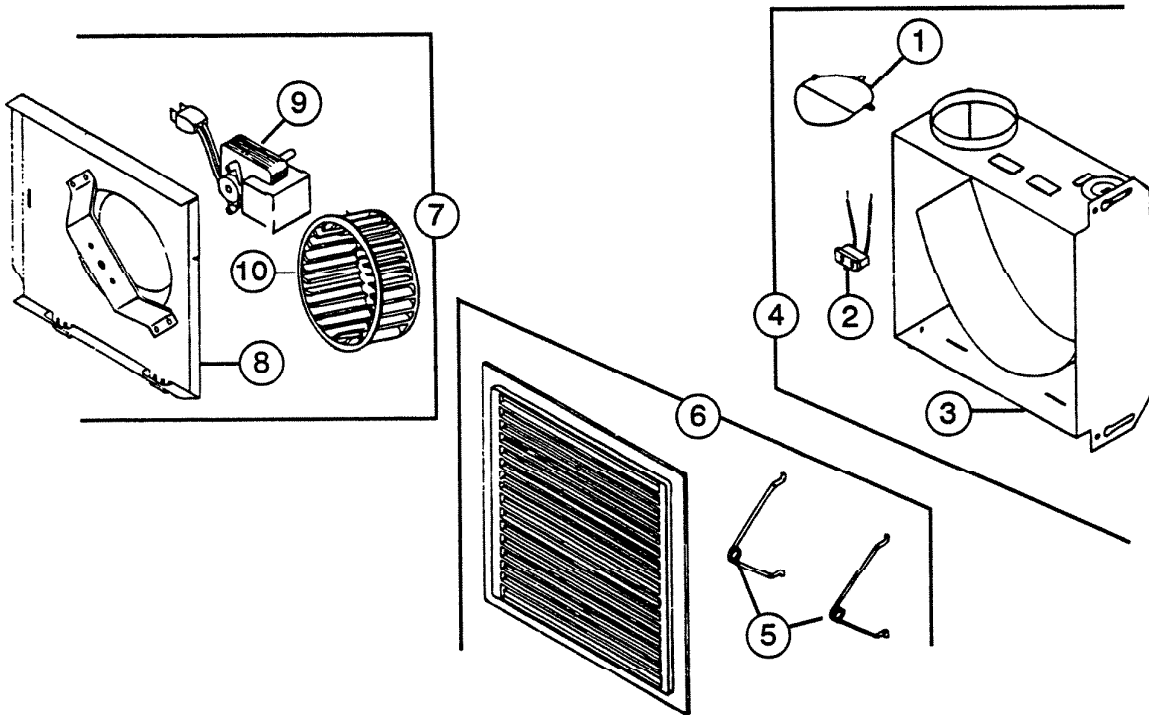


PARTS LIST

EFFECTIVE DATE	MODEL NUMBER	PRODUCT GROUP
JANUARY 1995	697 REVISED	FAN



REF.	ORIGINAL PART NO.	*PART DESCRIPTION	MODEL USED ON	CURRENT REPLACEMENT PART NO.
1	29865	LOUVER	697	29865-000
2	10034	PLUG RECEPTACLE	697	10034-000
3	65596	HOUSING ONLY	697	VOID-NOT AVAILABLE
4	65595	"A" HOUSING COMP REF. 1, 2, & 3	697	VOID-NOT AVAILABLE
5	29861	SPRING (1) 2-REQUIRED	697	0442A-000
6	65607	GRILLE ASSEMBLY	697	56885-000
7	65603	POWER UNIT ASSEMBLY	697	VOID-NOT AVAILABLE
8	65604	MOUNTING PLATE ASSEMBLY — MOTOR	697	0423A-000
9	65678	MOTOR NO. ON MOTOR 101-2367 OR 8T	697	68738-000
10	65092	BLOWER WHEEL	697	68739-000

NuTone

NuTone
 Attn: Parts Department
 Madison & Red Bank Rds.
 Cincinnati, OH 45227-1599
 Phone: (513) 527-5426
 Fax: (513) 527-5173

↑

NOTE: Always order by current part number