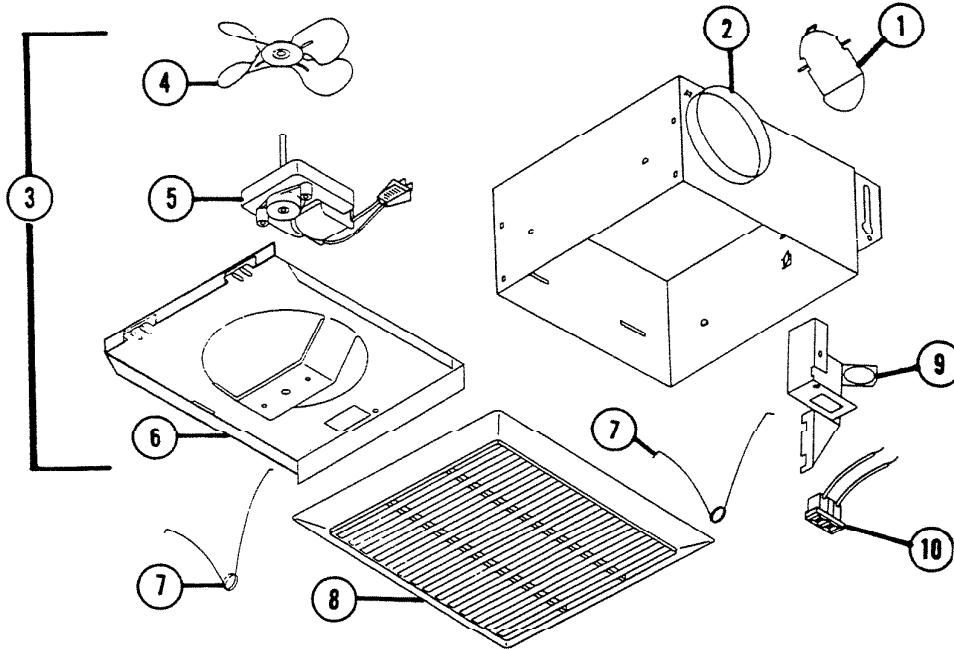


# PARTS LIST

<b>MODEL</b>	690 - 696 FAN
<b>EFFECTIVE DATE</b>	AUGUST, 1973



REF	ORIGINAL PART NO.	PART DESCRIPTION	MODEL USED ON	CURRENT REPLACEMENT PART NO.
1	29865-000	LOUVER	690 - 696	29865-000
2	29863-000	"A" HOUSING	690 - 696	29863-000
3	29870-000	POWER UNIT (Motor, Blade & Mtg. Plate)	690 - 696	29870-000
4	17728-000	FAN BLADE	690 - 696	17728-000
5	29872-000	MOTOR	690 - 696	29938-000
6	29871-000	MOUNTING PLATE	690 - 696	65086-000
7	29875-000	SPRING (2 REQUIRED)	690 - 696	29861-000
8	29873-000	GRILLE ASSY. (INC. REF. 7)	690 - 696	29873-000
9	29864-000	OUTLET BOX	690 - 696	29864-000
10	10034-000	RECEPTACLE	690 - 696	10034-000

**NuTone Division**

Order Parts From:  
Parts Department c/o NuTone  
P.O. Box 27 • Cincinnati, Ohio 45227

NOTE: Always order by current part number.

PL-690-696