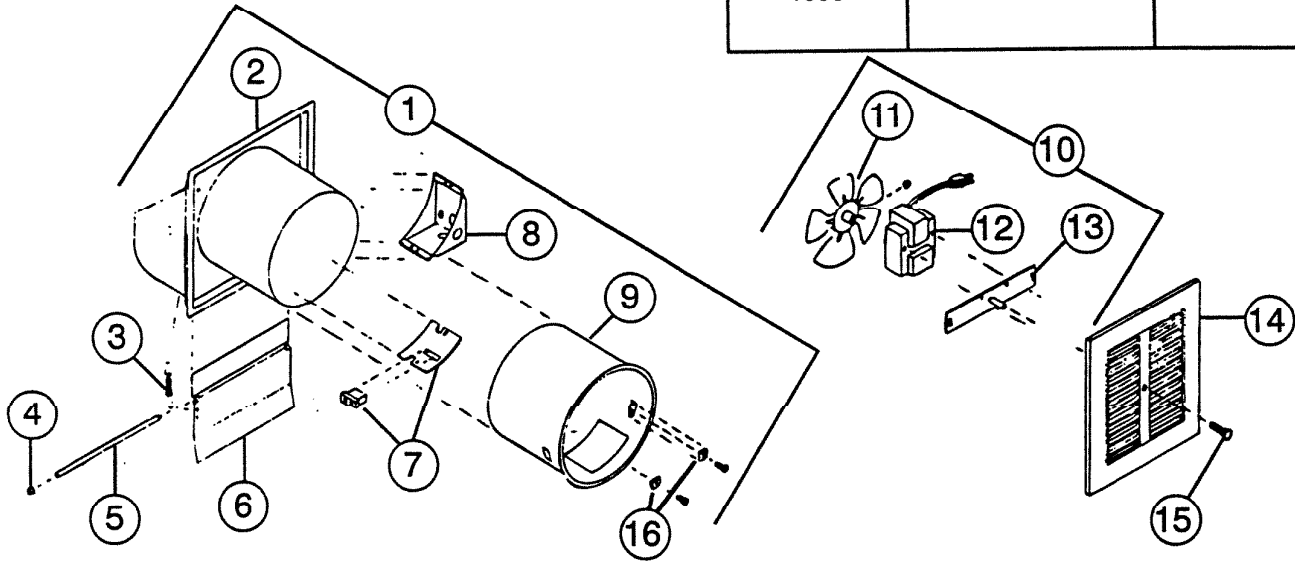


# PARTS LIST

EFFECTIVE DATE	MODEL NUMBER	PRODUCT GROUP
JANUARY 1995	687 REVISED	FAN



REF.	ORIGINAL PART NO.	*PART DESCRIPTION	MODEL USED ON	CURRENT REPLACEMENT PART NO.
1	22620	"A" UNIT ASSEMBLY	687	VOID-NOT AVAILABLE
2	22622	FLASH PLATE AND HOOD ASSEMBLY	687	VOID-NOT AVAILABLE
3	10877	SPRING	687	10877-000
4	26855	PAL NUT	687	26855-000
5	22638	HINGE ROD	687	22638-000
6	22637	LOUVER	687	22637-000
7	22642	OUTLET BOX COVER ASSEMBLY	687	22642-000
8	10473	OUTLET BOX	687	10473-000
9	22639	INSIDE SLEEVE	687	22639-000
10	22646	"B" UNIT	687	1315A-000
11	22651	FAN BLADE	687	22651-000
12	22650	MOTOR	687	1200A-000
13	15589	MOTOR BRACKET	687	15589-000
14	16246	GRILLE	687	13178-018
15	11247	GRILLE SCREW	687	21988-001
16	31121	SPEED NUTS	687	18218-000

# NuTone

NuTone  
 Attn: Parts Department  
 Madison & Red Bank Rds.  
 Cincinnati, OH 45227-1599  
 Phone: (513) 527-5426  
 Fax: (513) 527-5173

↑

**NOTE: Always order by current part number**