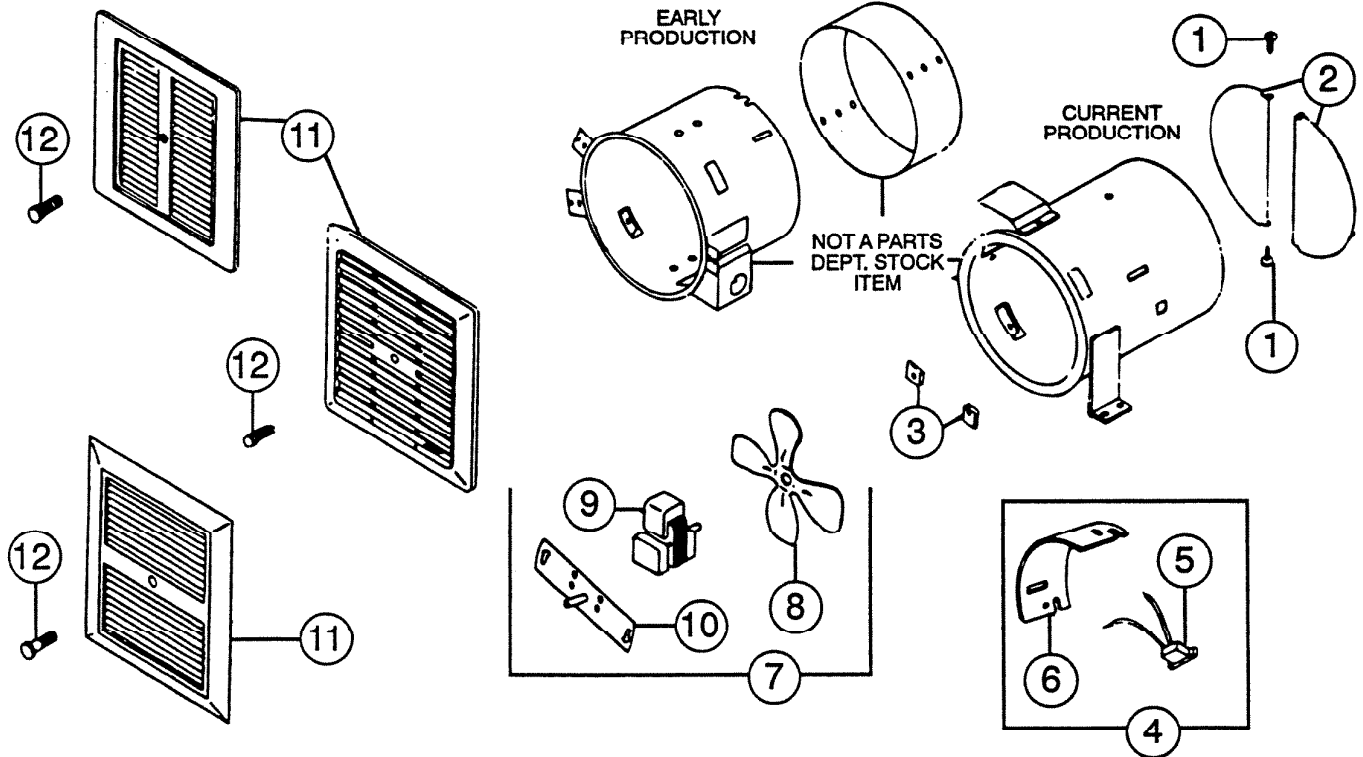


PARTS LIST

EFFECTIVE DATE	MODEL NUMBER	PRODUCT GROUP
JANUARY 1995	686 REVISED	FAN



REF.	ORIGINAL PART NO.	*PART DESCRIPTION	MODEL USED ON	CURRENT REPLACEMENT PART NO.
1	15584	DAMPER SCREW - 2 REQUIRED	686	15584-000
2	16754	DAMPER HALF - 2 REQUIRED	686	16754-000
3	15583	SPEED NUTS - 2 REQUIRED	686	18218-000
4	22642	OUTLET BOX COVER ASSEMBLY	686	22642-000
5	10034	PLUG RECEPTACLE	686	10034-000
6	22643	OUTLET BOX COVER	686	22643-005
7	15588	"B" UNIT	686	15588-000
8	13728	FAN BLADE ASSEMBLY	686	13728-000
9	26728	MOTOR	686	1200A-000
10	15589	MOTOR BRACKET ASSEMBLY	686	15589-000

(PLEASE SEE OTHER SIDE)

NuTone

NuTone
 Attn: Parts Department
 Madison & Red Bank Rds.
 Cincinnati, OH 45227-1599
 Phone: (513) 527-5426
 Fax: (513) 527-5173

NOTE: Always order by current part number

REF.	ORIGINAL PART NO.	*PART DESCRIPTION	MODEL USED ON	CURRENT REPLACEMENT PART NO.	
11	16246	GRILLE	686	13178-018	
	13178				ANODIZED ALUM.
	66715				WHITE PLASTIC
12	11247	GRILLE SCREW	686	21988-001	
	66716			WHITE PLASTIC	66716-000



NOTE: Always order by current part number