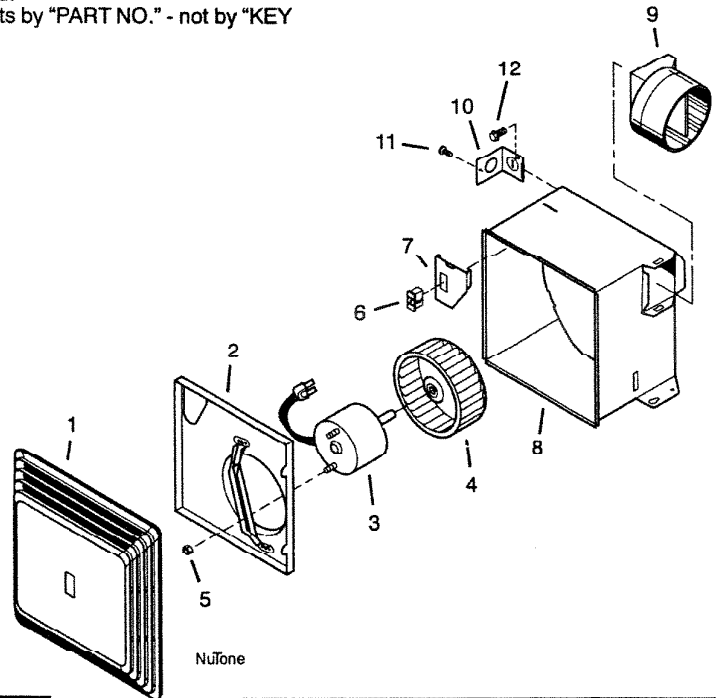


SERVICE PARTS

KEY	PART NO.	DESCRIPTION
1	97013576	Grille
2	97014926	Motor Plate
3	99080517	Motor (676)
	99080518	Motor (684)
4	99020276	Impeller
5	99260425	Motor Nut (2 req.)
*	97015157	Blower Assembly (676)
		(includes Key Nos. 2 thru 5)
*	97015159	Blower Assembly (684)
		(includes Key Nos. 2 thru 5)
6	99270982	Receptacle
7	98009611	Wire Panel
*	97015170	Wire Panel Assembly
		(includes Key Nos. 6 & 7)
8	97014922	Housing
9	97003932	Damper/Duct Connector
10	98008868	Wiring Plate
11	99150575	Screw, #8-18 x .375
12	99150574	Ground Screw

* Not shown assembled.

Order replacement parts by "PART NO." - not by "KEY NO."



WARRANTY

NuTone ONE YEAR LIMITED WARRANTY

NuTone warrants to the original consumer purchaser of its products that such products will be free from defects in materials or workmanship for a period of one year from the date of original purchase. THERE ARE NO OTHER WARRANTIES, EXPRESS OR IMPLIED, INCLUDING, BUT NOT LIMITED TO, IMPLIED WARRANTIES OF MERCHANTABILITY OR FITNESS FOR A PARTICULAR PURPOSE.

During this one-year period, Broan will, at its option, repair or replace, without charge, any product or part which is found to be defective under normal use and service.

THIS WARRANTY DOES NOT EXTEND TO FLUORESCENT LAMP STARTERS AND TUBES. This warranty does not cover (a) normal maintenance and service or (b) any products or parts which have been subject to misuse, negligence, accident, improper maintenance or repair (other than by NuTone), faulty installation or installation contrary to recommended installation instructions.

The duration of any implied warranty is limited to the one-year period as specified for the express warranty. Some states do not allow limitation on how long an implied warranty lasts, so the above limitation may not apply to you.

BROAN'S OBLIGATION TO REPAIR OR REPLACE, AT BROAN'S OPTION, SHALL BE THE PURCHASER'S SOLE AND EXCLUSIVE REMEDY UNDER THIS WARRANTY. BROAN SHALL NOT BE LIABLE FOR INCIDENTAL, CONSEQUENTIAL OR SPECIAL DAMAGES ARISING OUT OF OR IN CONNECTION WITH PRODUCT USE OR PERFORMANCE. Some states do not allow the exclusion or limitation of incidental or consequential damages, so the above limitation or exclusion may not apply to you.

This warranty gives you specific legal rights, and you may also have other rights, which vary from state to state. This warranty supersedes all prior warranties.

To qualify for warranty service, you must (a) notify Broan at the address stated below or telephone: 1-800-637-1453, (b) give the model number and part identification and (c) describe the nature of any defect in the product or part. At the time of requesting warranty service, you must present evidence of the original purchase date.

BROAN-NUTONE LLC, 926 West State Street, Hartford, WI 53027