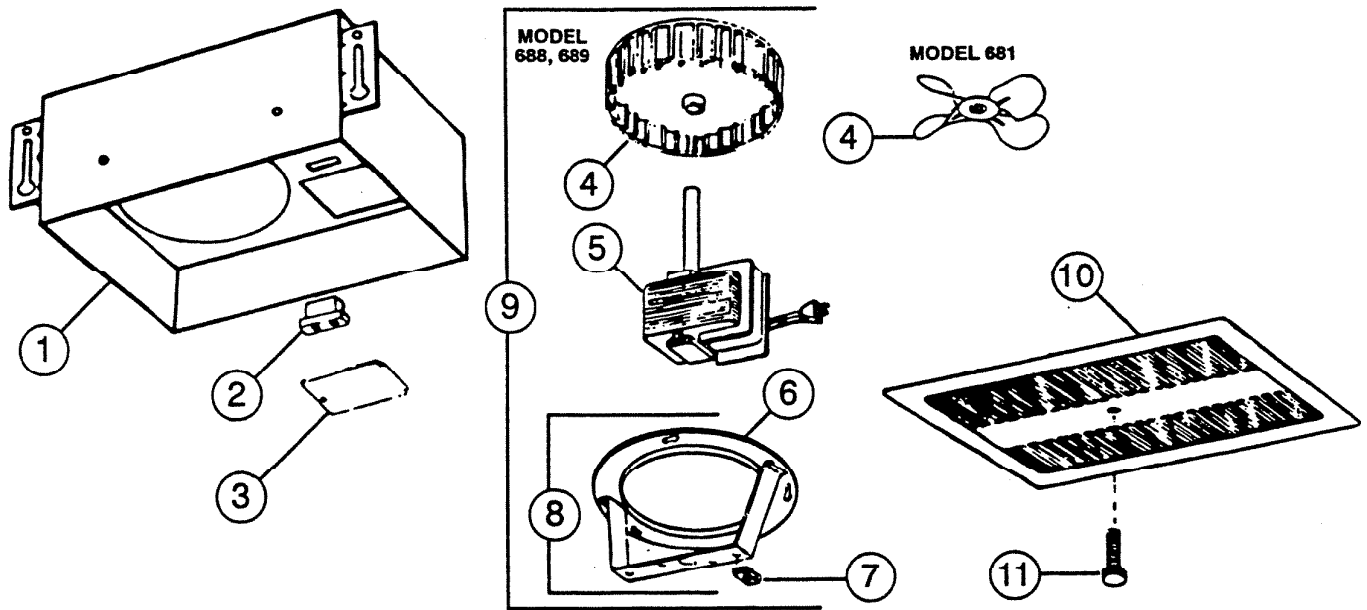


PARTS LIST

EFFECTIVE DATE	MODEL NUMBER	PRODUCT GROUP
JANUARY 1995	681, 688, 689 REVISED	FANS



REF.	ORIGINAL PART NO.	*PART DESCRIPTION	MODEL USED ON	CURRENT REPLACEMENT PART NO.
1	23264	"A" HOUSING ONLY	681 688, 689	VOID-NOT AVAILABLE
2	10034	RECEPTACLE	681 688, 689	10034-000
3	20302	OUTLET BOX COVER	681 688, 689	17379-000
4	17728	FAN BLADE	681	17728-000
	23274	BLOWER WHEEL	688, 689	23274-000
5	17732	MOTOR	681	29938-000
	23272		688	23272-000
	23273		689	23273-000
(PLEASE SEE OTHER SIDE)				

NuTone

NuTone
 Attn: Parts Department
 Madison & Red Bank Rds.
 Cincinnati, OH 45227-1599
 Phone: (513) 527-5426
 Fax: (513) 527-5173

↑
NOTE: Always order by current part number

REF.	ORIGINAL PART NO.	*PART DESCRIPTION	MODEL USED ON	CURRENT REPLACEMENT PART NO.
6	23255	MOTOR MOUNT	681 688, 689	VOID-NOT AVAILABLE
7	22460	SPEED CLIP	681 688, 689	22460-000
8	23270	MOTOR MOUNT ASSEMBLY	681 688, 689	VOID-NOT AVAILABLE
9	17724	"B" UNIT	681	VOID-NOT AVAILABLE
	23268		688	VOID-NOT AVAILABLE
	23269		689	VOID-NOT AVAILABLE
10	16246	GRILLE	681 688, 689	13178-018
11	12220	GRILLE SCREW	681 688, 689	12220-001
—	20299	LOUVER ASSEMBLY (NOT SHOWN)	681 688, 689	VOID-NOT AVAILABLE
—	20301	LOUVER SPRING (NOT SHOWN)	681 688, 689	VOID-NOT AVAILABLE

↑

NOTE: Always order by current part number