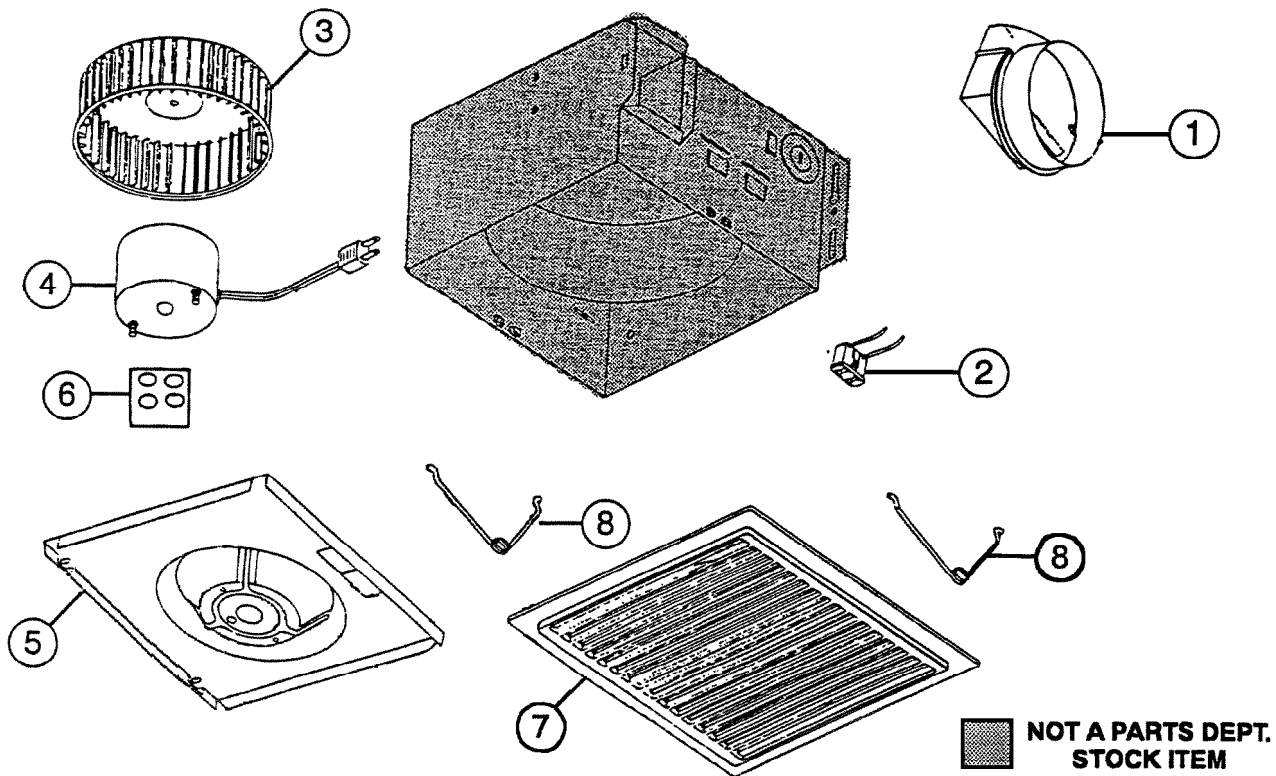


PARTS LIST

EFFECTIVE DATE	MODEL NUMBER	PRODUCT GROUP
OCTOBER 1994	672 REVISED	EXHAUST FAN



REF.	ORIGINAL PART NO.	*PART DESCRIPTION	MODEL USED ON	CURRENT REPLACEMENT PART NO.
1	53697	DUCT ADAPTOR ASSEMBLY	672	30652-000
2	10034	RECEPTACLE	672	10034-000
3	5900A	BLOWER WHEEL	672	5901A-000
4	0407A	MOTOR KIT - With Bumpers	672	0434A-000
5	58472	MOUNTING PLATE	672	44188-000
6	0406A	RUBBER BUMPER SET - 4	672	0406A-000
7	56885	GRILLE ASSEMBLY (Includes Springs)	672	56885-000
8	54714	TORSION SPRING	672	0447A-000
9	04 11A	POWER UNIT ASSEMBLY	672	04 11A-000

NuTone

NuTone
 Attn: Parts Department
 Madison & Red Bank Rds.
 Cincinnati, OH 45227-1599
 Phone: (513) 527-5426
 Fax: (513) 527-5173

↑
NOTE: Always order by current part number