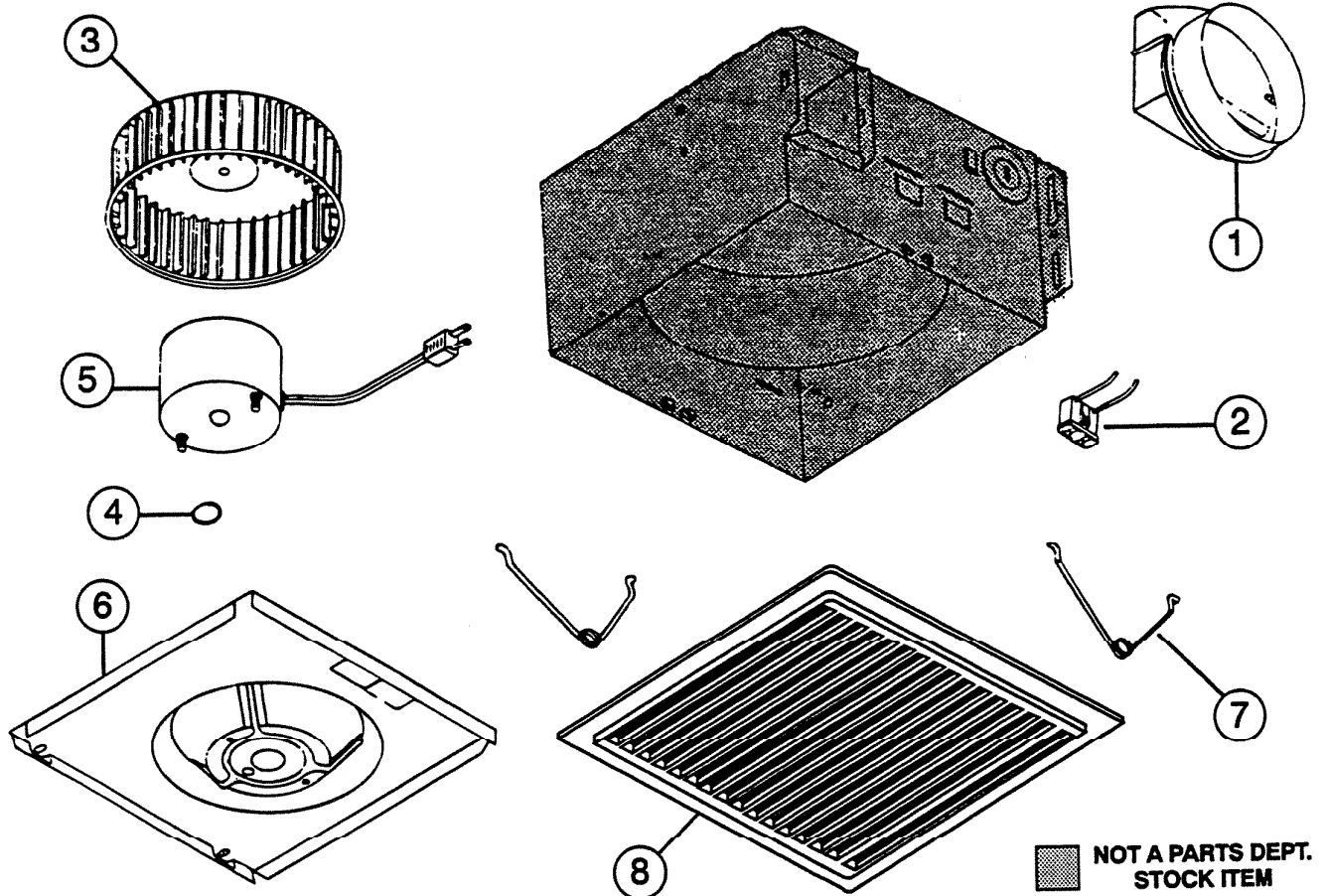


# PARTS LIST

EFFECTIVE DATE	MODEL NUMBER	PRODUCT GROUP
AUGUST 1994	671 REVISED	EXHAUST FAN



REF.	ORIGINAL PART NO.	*PART DESCRIPTION	MODEL USED ON	CURRENT REPLACEMENT PART NO.
1	53697	DUCT ADAPTOR ASSEMBLY	671	30652-000
2	10034	RECEPTACLE	671	10034-000
3	5900A	BLOWER WHEEL	671	5900A-000
4	54229	RUBBER BUMPER - 4 Required	671	0406A-000
5	58123	MOTOR	671	58123-000
6	58472	MOUNTING PLATE	671	44188-000
7	54714	TORSION SPRING	671	0447A-000
8	56885	GRILLE ASSEMBLY ( Includes Springs)	671	56885-000

# NuTone

NuTone  
 Attn: Parts Department  
 Madison & Red Bank Rds.  
 Cincinnati, OH 45227-1599  
 Phone: (513) 527-5426  
 Fax: (513) 527-5173

NOTE: Always order by current part number