

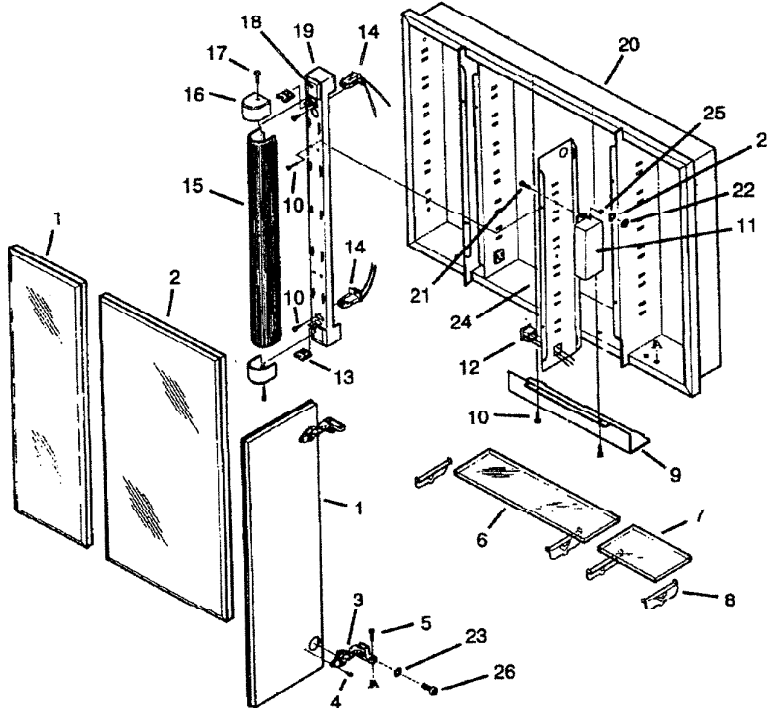
**SURFACE MOUNTED
MEDICINE CABINETS**

MODELS
655236 (36" wide)
655248 (48" wide)

REPLACEMENT FLUORESCENT LAMPS

Although certain fluorescent lamp types listed by Phillips and General Electric have different ordering codes, they are physically and electrically interchangeable. For your convenience, we are listing a direct comparison:

WATTS	COLOR TEMP.	GEN. ELEC.	PHILLIPS
17	3000K	F17T8/SPX30	F17T8/TL730
17	3500K	F17T8/SPX35	F17T8/TL735
17	3000K	F17T8/SP30	
17	3500K	F17T8/SP35	



SERVICE PARTS

KEY NO.	PART NO.	DESCRIPTION	36" QTY.	48" QTY.
1	S97013354	Side Door Assembly	2	--
2	S97013355	Center Door Assembly	1	3
3	97012147	Hinge Assembly	6	6
4	7228	Sheet Metal Screw, #6 x 3/8, RD Hd.*	6	6
5	7225	Machine Screw, #8-32 x 5/8*	14	14
6	99050133	Glass Shelf - 15"	2	2
7	99050135	Glass Shelf - 8"	4	--
	99050134	Glass Shelf - 14"	--	4
8	3330	Shelf Bracket	12	12
9	98008770P	Wire Box Cover	1	1
	7143	Sheet Metal Screw, #6 x 3/8, TR Hd.*	8	8
10	A99271179	Ballast	1	1
11	99271149	Receptacle	2	2
12	99260545	Tinnerman Nut	4	4
13	1514	Lamp Socket	4	4
14	99110982	Light Lens	2	2
15	99111042	Light End Cap	4	4
16	99160394	Machine Screw, #6-32 x 1/2, Brass	4	4
17	99050105	Mirror Insert	4	4
18	97013125	Light Housing Cover	2	2
19	97013077	Body Assembly - 36"	1	--
20	97013078	Body Assembly - 48"	--	1
21	99160399	Screw, #8-32 x 5/8 TR HD	2	2
22	7226	Nut, #8-32	2	2
23	7227	Washer, #8 Ext. Lock	8	8
24	A98009216P	Right Wire Housing	1	1
**	A98009215P	Left Wire Housing	1	1
25	7155	Washer, #8 Flat	2	2
26	99160396	Screw, Chrome, 4 x .7 x 9 mm	6	6

* Standard hardware - may be purchased locally. Order replacement parts by "PART NO." - NOT by "KEY NO."
** Not shown.