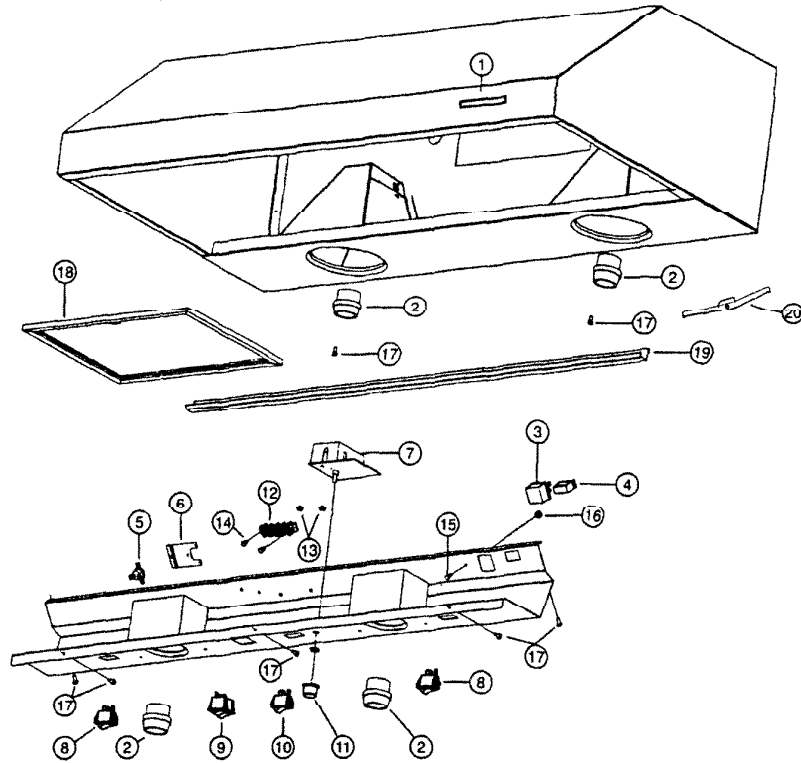


SERVICE PARTS

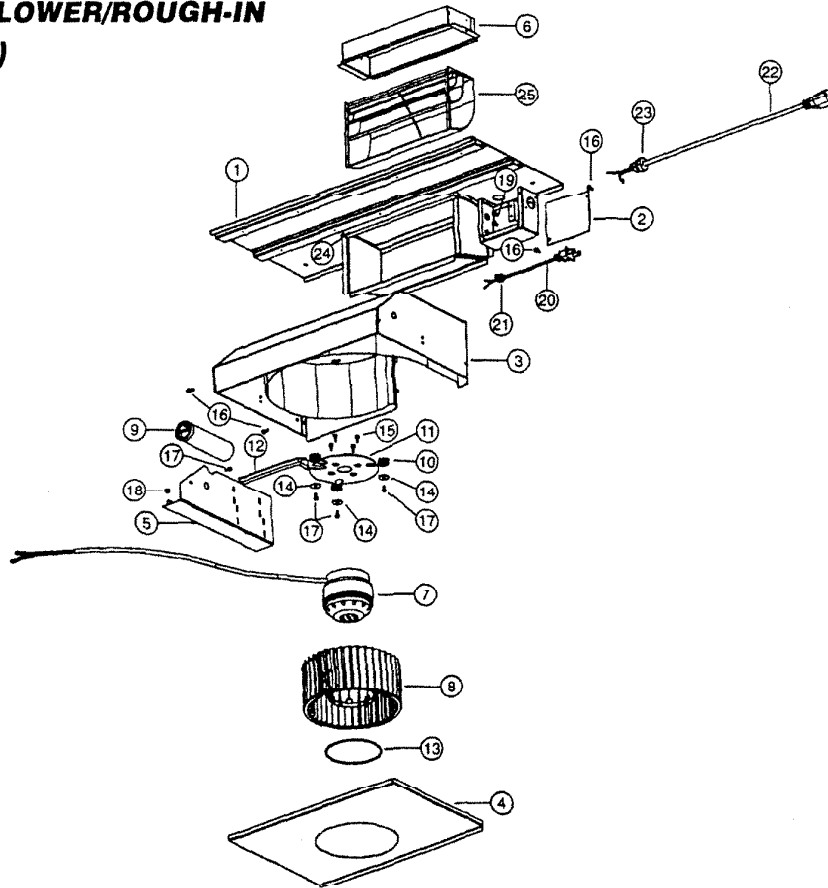
64000 Series



KEY #	PART NUMBER	DESCRIPTION	QTY (hood width)			
			30"	36"	42"	48"
1	V03493	"RANGEMASTER" LOGO	1	1	1	1
2	V02264	LAMP SOCKET	4	4	5	5
3	V02773	MALE CONNECTOR	1	1	1	1
4	V02772	FEMALE CONNECTOR	1	1	1	1
5	V03435	THERMAL CUTOFF 206°F	1	1	1	1
6	V03436	SUPPORT FOR THERMAL CUTOFF	1	1	1	1
7	V03501	RANGEMASTER SPEED CONTROLLER	1	1	1	1
8	V03507	SPST CARLING SINGLE SWITCH	2	2	2	2
9	V03502	SPST CARLING DOUBLE SWITCH	1	1	1	1
10	V03503	SPST CARLING LIGHTED SINGLE SWITCH	1	1	1	1
11	V03504	RANGEMASTER SPEED CONTROL BUTTON	1	1	1	1
12	V03505	RANGEMASTER TERMINAL STRIP	1	1	1	1
	V03517	RANGEMASTER 10" POWER CORDS	1	1	1	1
	V03518	10" RANGEMASTER CORDS FOR HEAT LAMP	2	2	2	2
	V03519	RANGEMASTER 10" CONTROL WIRE	1	1	1	1
	V03520	RANGEMASTER 10" LIGHTED SWITCH WIRE	1	1	1	1
13	V00673	LOCK NUT #8-32	2	2	2	2
14	V02512	SCREW #8-32 X 1/2" QDRX	2	2	2	2
15	V01869	MACHINE SCREW #8-32 X 1/4"	1	1	1	1
16	V01582	LOCK NUT #8-32	1	1	1	1
	V00606	SCREW #8-3/8" T/B #8 HEAD	7	7	8	8
18	V03509	RANGEMASTER FILTER 8,930 X 9,800	2	-	2	-
	V03510	RANGEMASTER FILTER 11,930 X 9,800	1	3	2	4
19	V13216	GREASE COLLECTION CHANNEL 30"	1	-	-	-
	V13217	GREASE COLLECTION CHANNEL 36"	-	1	-	-
	V13218	GREASE COLLECTION CHANNEL 42"	-	-	1	-
	V13219	GREASE COLLECTION CHANNEL 48"	-	-	-	1
20	V03686	FILTER CLIP	3	3	4	4
	V02544	HALOGEN LAMP	2	2	3	3
	V03596	HEAT LAMP	2	2	2	2
	V03515	INSTALLATION GUIDE	1	1	1	1
	V13278	PARTS BAG ((4) lock nut #10-32, (1) wire clamp LP16-AP, (8) double thread screw 6-12X0.5, (2) wire connectors #74B, (6) #8x3/8" screws, (2) #6x1/2" screws)	1	1	1	1

SERVICE PARTS

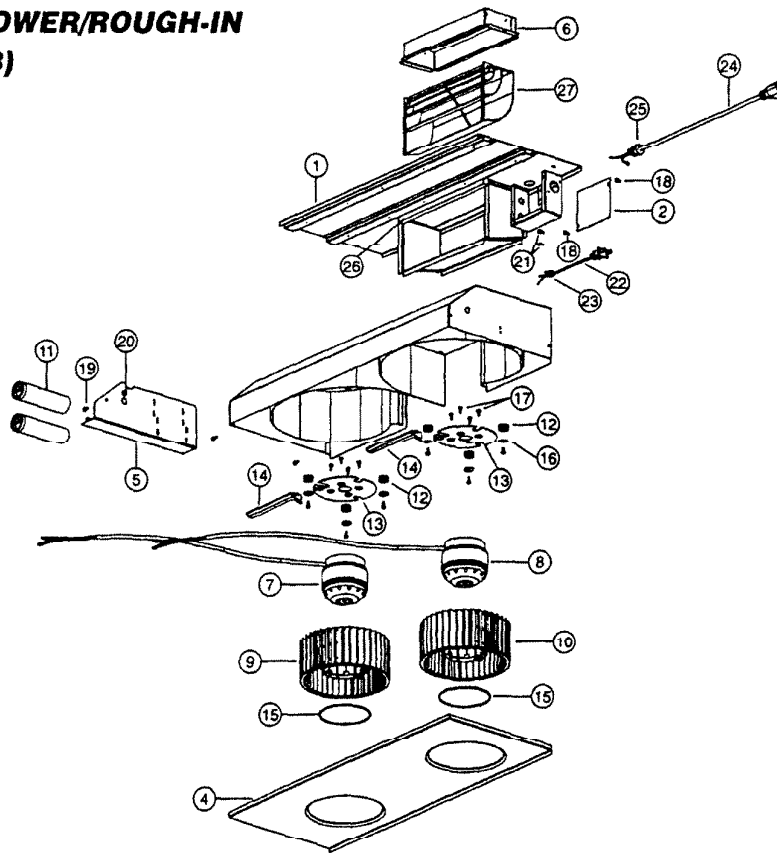
SINGLE BLOWER/ROUGH-IN (Model P5)



KEY #	PART NUMBER	DESCRIPTION	QTY
1	V12997	ROUGH-IN PLATE	1
2	V13230	OUTLET BOX COVER	1
3	V13233	BLOWER CHASSIS	1
4	V13235	BLOWER COVER	1
5	V13240	CAPACITOR COVER	1
6	V13296	ADAPTER & DAMPER	1
7	V01766	MOTOR 165W CW	1
8	V03400	BLOWER IMPELLER 7.094" x 3.375"CW	1
9	V02160	CAPACITATOR 15 MFD	1
10	V02001	MOTOR GROMMET G-431-1	3
11	V11705	MOTOR MOUNT	1
12	V01857	WIRE LOOM	1
13	V01810	IMPELLER RING	1
14	V00871	WASHER 3/16"DI X 3/4"DE	3
	V01831	8" TIE RAP	2
15	V01927	METRIC SCREW M4 X 6MM PAN QDRX	4
	V11614	WIRE #18 TEW BROWN X 10"	1
16	V00606	SCREW #8 X 3/8", T/B, #8 HEAD	2
17	V01860	MACHINE SCREW # 6 32 X 1/4"	4
18	V01582	LOCK NUT #6-32	1
19	V00613	SCREW #10-32 X 3/8, T/F, GREEN	2
20	V03494	36" BLOWER POWER CORD	1
21	V03495	STRAIN RELIEF FOR BLOWER POWER CORD	1
22	V03496	POWER CORD, 120 VOLTS	1
23	V00660	STRAIN RELIEF FOR POWER CORD	1
24	V03577	FOAM 1/2" X 1/2" X 10"	1
25	V03500	AIR DEFLECTOR	1

SERVICE PARTS

DUAL BLOWER/ROUGH-IN (Model P8)



KEY #	PART NUMBER	DESCRIPTION	QTY
1	V12997	ROUGH-IN PLATE	1
2	V13230	ELECTRIC BOX COVER	1
3	V13234	BLOWER CHASSIS	1
4	V13236	BLOWER COVER	1
5	V13240	CAPACITOR COVER	1
6	V13296	ADAPTER & DAMPER	1
7	V01766	MOTOR 165W CW	1
8	V03457	MOTOR 165W CCW	1
9	V03400	BLOWER IMPELLER, HOOD 7.094" X 3.375"CW	1
10	V03399	BLOWER IMPELLER, HOOD 7.094" X 3.375"CCW	1
11	V02160	CAPACITOR 15 MFD	2
12	V02001	MOTOR GROMMET G-431-1	6
13	V11705	MOTOR MOUNT	2
14	V01837	WIRE COVER	2
15	V01810	IMPELLER RING	2
16	V00871	WASHER 3/16"DI X 3/4"DE	6
	V01831	8" TIE RAP	4
17	V01927	METRIC SCREW M4 X 6MM PAN ODRX	8
	V11614	WIRE #18 TEW BROWN X 10"	2
18	V00606	SCREW #8 X 3/8", T/B, #8 HEAD	4
19	V01869	MACHINE SCREW # 6-32 X 1/4"	7
20	V01582	LOCK NUT #6-32	1
21	V00613	SCREW #10-32 X 36", T/F, GREEN	2
22	V03494	36" BLOWER POWER CORD	1
23	V03495	STRAIN RELIEF FOR BLOWER POWER CORD	1
24	V03496	POWER CORD, 120 VOLTS	1
25	V00660	STRAIN RELIEF FOR POWER CORD	1
26	V03577	FOAM 1/2" X 1/2" X 10"	1
27	V03500	AIR DEFLECTOR	1