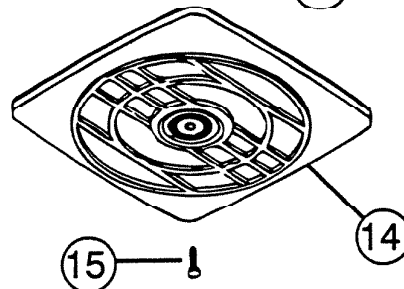
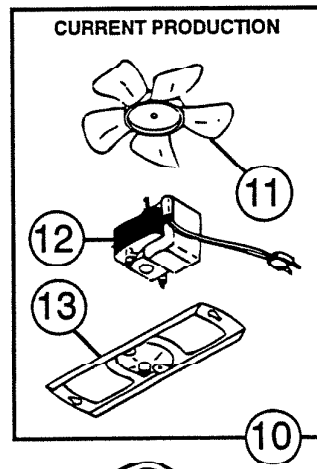
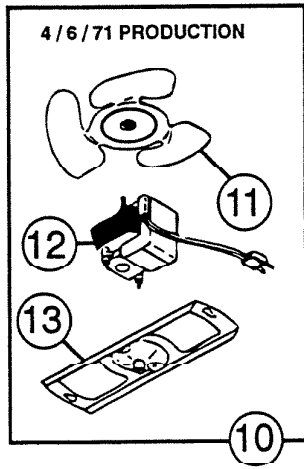
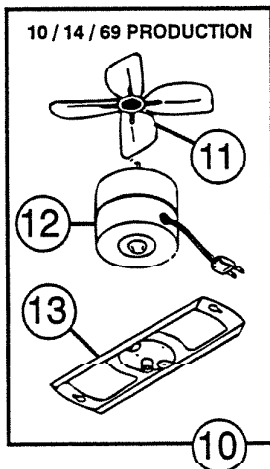
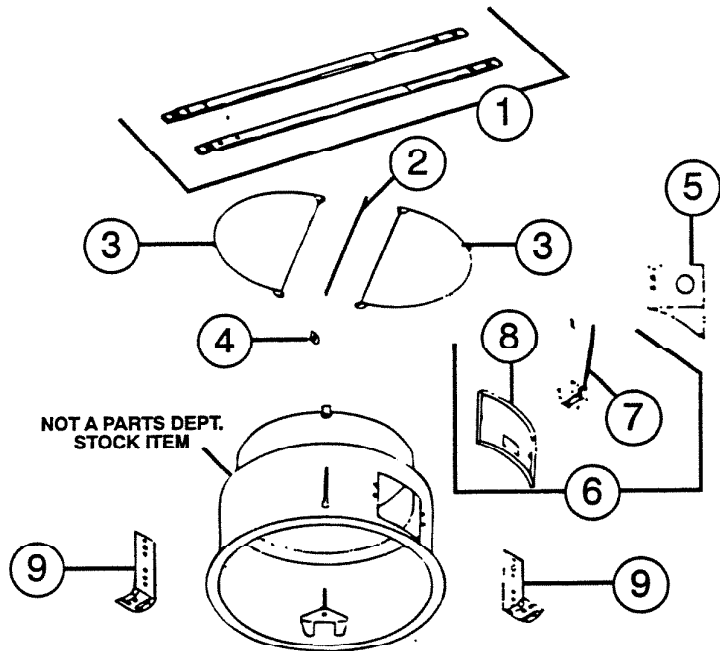


# PARTS LIST

EFFECTIVE DATE	MODEL NUMBER	PRODUCT GROUP
OCTOBER 1994	M-621, 621 REVISED	FAN



# NuTone

NuTone  
 Attn: Parts Department  
 Madison & Red Bank Rds.  
 Cincinnati, OH 45227-1599  
 Phone: (513) 527-5426  
 Fax: (513) 527-5173

REF.	ORIGINAL PART NO.	*PART DESCRIPTION	MODEL USED ON	CURRENT REPLACEMENT PART NO.	
1	13306	HANGER BAR SET	All Models	13306-000	
2	16755	HINGE ROD	All Models	16755-000	
3	16754	DAMPER HALF – 2 Required	All Models	16754-000	
4	16756	TINNERMAN NUT	All Models	16756-000	
5	10473	OUTLET BOX	All Models	10473-005	
6	10247	OUTLET BOX COVER ASSEMBLY	All Models	10247-000	
7	10034	PLUG RECEPTACLE	All Models	10034-000	
8	10177	OUTLET BOX COVER	All Models	10247-000	
9	10949	CEILING MOUNTING BRACKET – SET OF 4	All Models	53194-000	
10	16757	"B" UNIT ASSEMBLY	M621	16775-000	
	16775		621		
11	13725	FAN BLADE	10/14/69 Production	Void - not avail.	
	24464		4/6/71 Production		
	27860		Current Production		M621, 621
12	16759	MOTOR	10/14/69 Production	M621	16653-SER
	26727		4/6/71 to Current Prod.	M621, 621	24462-000
	24462				
13	16776	MOTOR BRACKET ASSEMBLY	All Models	16776-000	
14	10062	GRILLE ASSEMBLY	All Models	11751-018	
15	11244	GRILLE SCREW	All Models	11244-001	

↑

**NOTE: Always order by current part number**