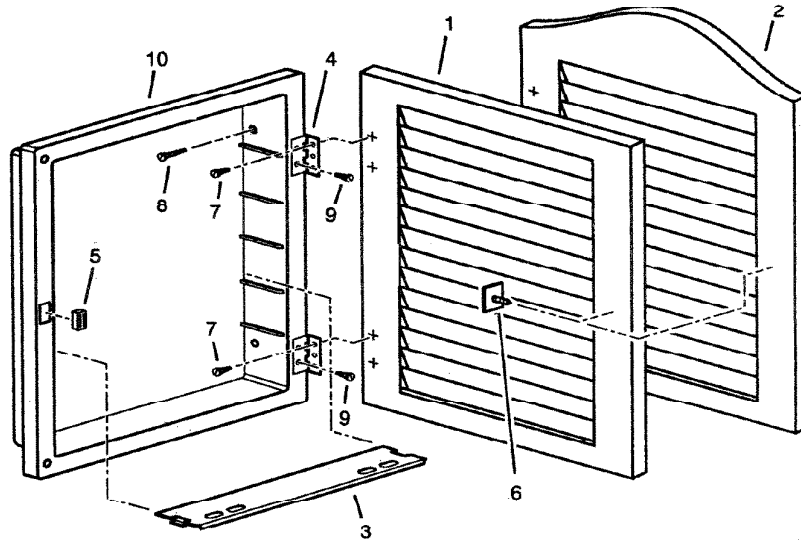


605ADJ & 607ADJ



LOUVER DOOR MEDICINE CABINETS

SERVICE PARTS

KEY NO.	PART NO.	DESCRIPTION
1	5095X	Wood Louver Door - Rectangular
2	5095	Wood Louver Door - Arch Top
3	29-664-01	Shelf (2 Req.)
4	7244Z	Butt Hinge (2 Req.)
5	42-456-01	Magnet
6	7257	Striker Plate
7	7137	Door Mounting Screw #6 x 1/2 (4 Req.)
8	7154	Body Mounting Screw #8 x 1 1/2 (4 Req.)
9	7143	Hinge Mounting Screw #6 x 3/8 (4 Req.)
10	99111104	Cabinet Body

* Standard hardware. May be purchased locally.