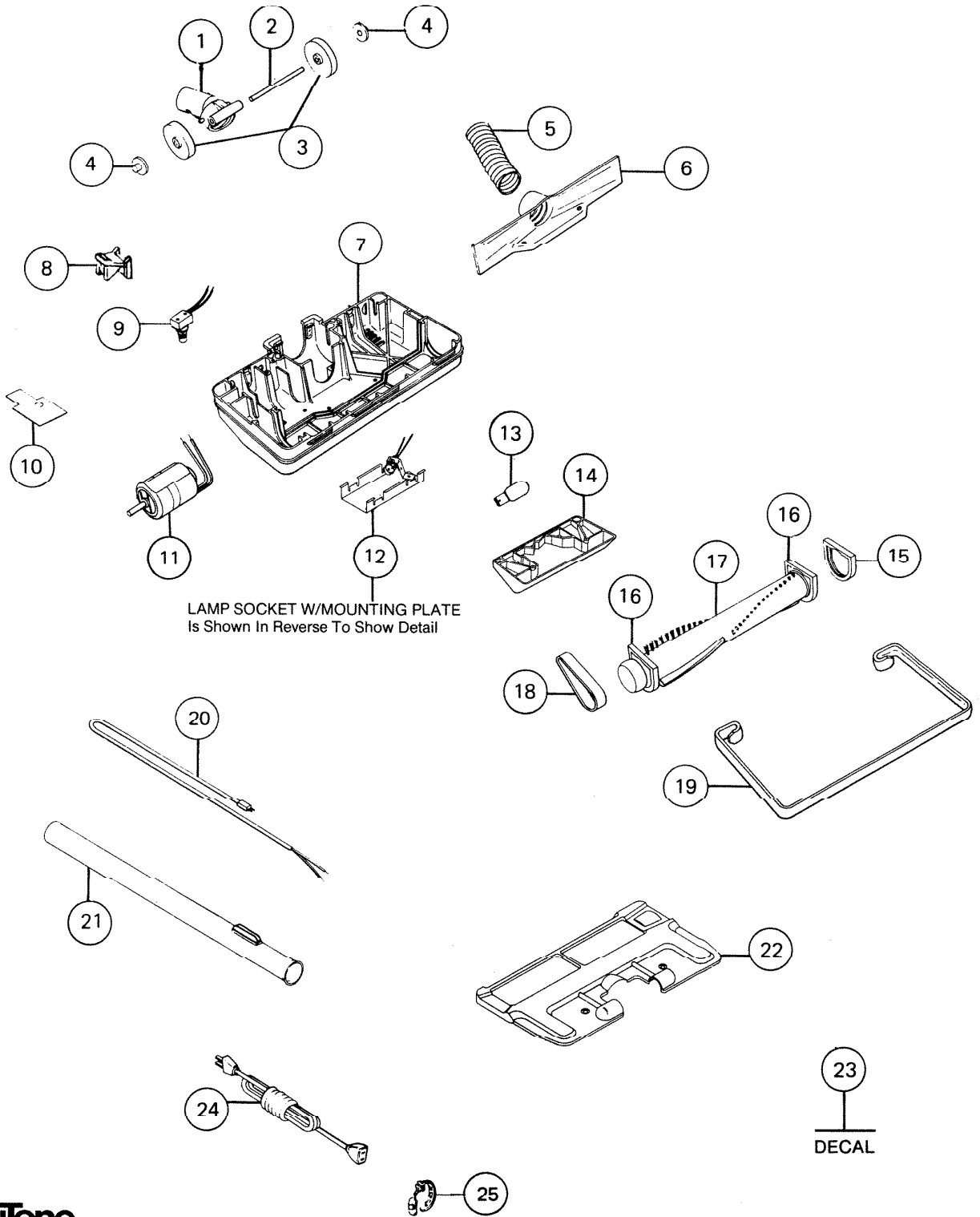


# PARTS LIST

EFFECTIVE DATE	MODEL	PRODUCT GROUP
JAN. 1990	596 598-CS REVISED	CENTRAL CLEANING SYSTEM



REF.	ORIGINAL PART NO.	* PART DESCRIPTION	MODEL USED ON	CURRENT REPLACEMENT PART NO.
1	5903A	SOCKET HANDLE ASSEMBLY		5903A-000
2	61098	AXLE		61098-000
3	61097	WHEEL (1)-2 REQUIRED		61097-000
4	6479A	AXLE BEARING SET		2830A-000
5	5550A	HOSE		5550A-000
6	61092	INLET DIVIDER		61092-000
7	9224A	HOUSING ASSEMBLY—SEE NOTE*		9224A-000
8	8921A	PEDAL		8921A-000
9	61276	SWITCH		61276-000
10	5559A	SWITCH COVER		5559A-000
11	69232	MOTOR W/NAME PLATE (DECAL)		69232-000
12	1855A	LAMP SOCKET W/MOUNTING PLATE		1855A-000
13	9123A	BULB—15 WATT	598	9123A-000
14	9124A	LENS W/UPPER DECAL		9124A-000
15	61104	GASKET—FOR END CAP		61104-000
16	1610A	BEARING CAP ASSEMBLY		1610A-000
17	5551A	BEATER ROLLER AND BEARING ASSEMBLY		5551A-000
18	61105	BELT		61105-000
19	5076A	FURNITURE GUARD		5076A-000
20	9122A	CORD AND PLUG ASSEMBLY		9122A-000
21	5905A	WAND		5905A-000
22	6480A	SOLE PLATE W/GASKET		6480A-000
23	9126A	DECAL	UPPER	9126A-000
	9125A		LOWER	9125A-000
24	39977	EXTENSION CORD—35 FT. 6 IN.	598-CS	39977-000
25	65007	STRAP (1)—10 REQUIRED		65007-000

NOTE: REF. NO.7 INCLUDES (2) AXLE BEARINGS (2) ON-SERTS (1) SWITCH COVER (1) DECAL AND (1) HOUSING.

NOTE: Always order by current part number.