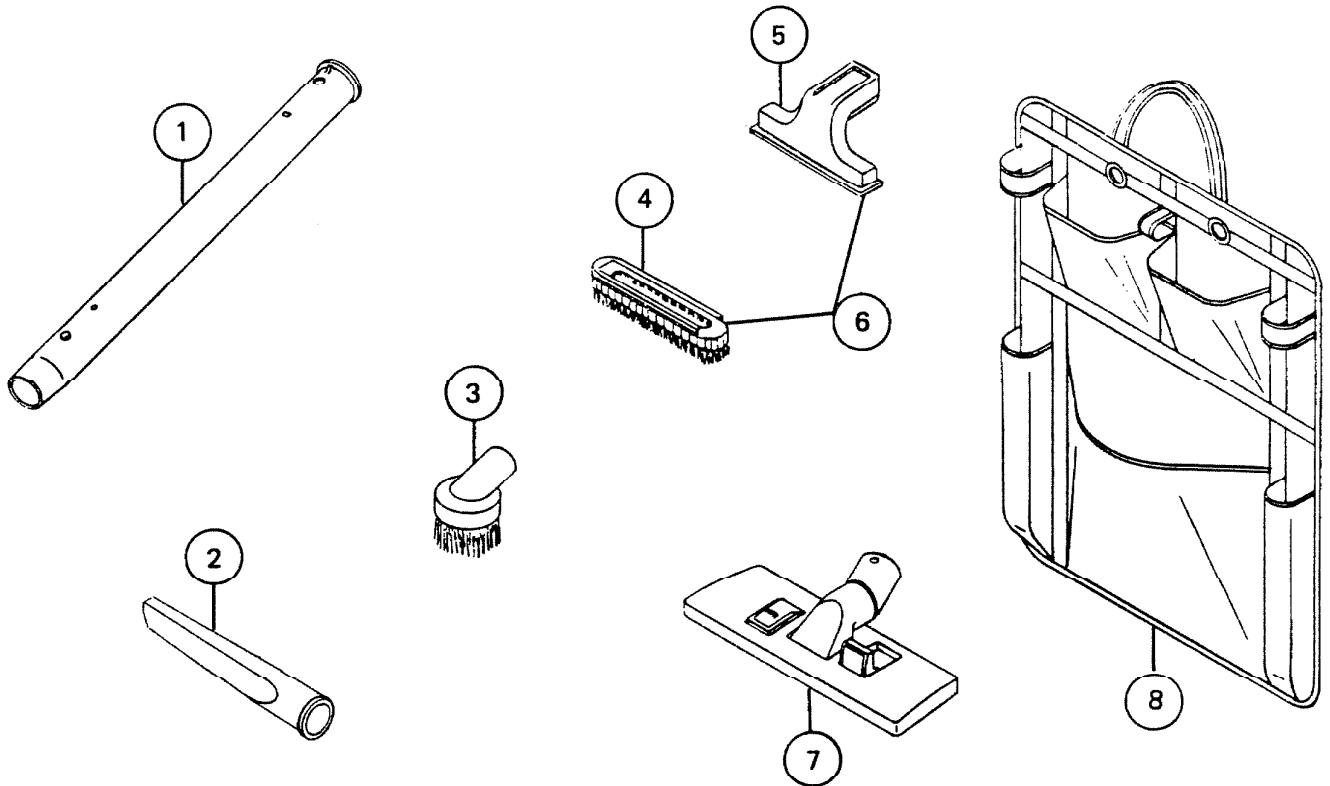


PARTS LIST

EFFECTIVE DATE	MODEL	PRODUCT GROUP
SEPT. 1989	573 REVISED	CENTRAL CLEANING SYSTEM



REF. NO.	ORIGINAL PART NO.	*PART DESCRIPTION	CURRENT REPLACEMENT PART NO.
1	63392	STRAIGHT WAND	63392-000
2	9008A	CREVICE TOOL	9008A-000
3	9011A	DUST BRUSH	9011A-000
4	9010A	SLIDE ON BRUSH	9010A-000
5	9009A	UPHOLSTERY TOOL	9009A-000
6	1860A	UPHOLSTERY TOOL W/BRUSH	1860A-000
7	9012A	COMBINATION FLOOR & RUG TOOL	9012A-000
8	9007A	HANG BAG	9007A-000
*	9549A	BRISTLE & PLATE ASSY - NOT SHOWN - FOR COMBINATION TOOL	9549A-000
*	1859A	LINT STRIP SET (2) - NOT SHOWN - FOR COMBINATION TOOL	1859A-000

NuTone

↑
NOTE: Always order by current part number.

Parts and Service Dept.

Madison & Red Bank Roads, Cincinnati, Ohio 45227
(513) 527-5426

NuTone

TO: NUTONE DISTRIBUTORS & SERVICE CENTERS

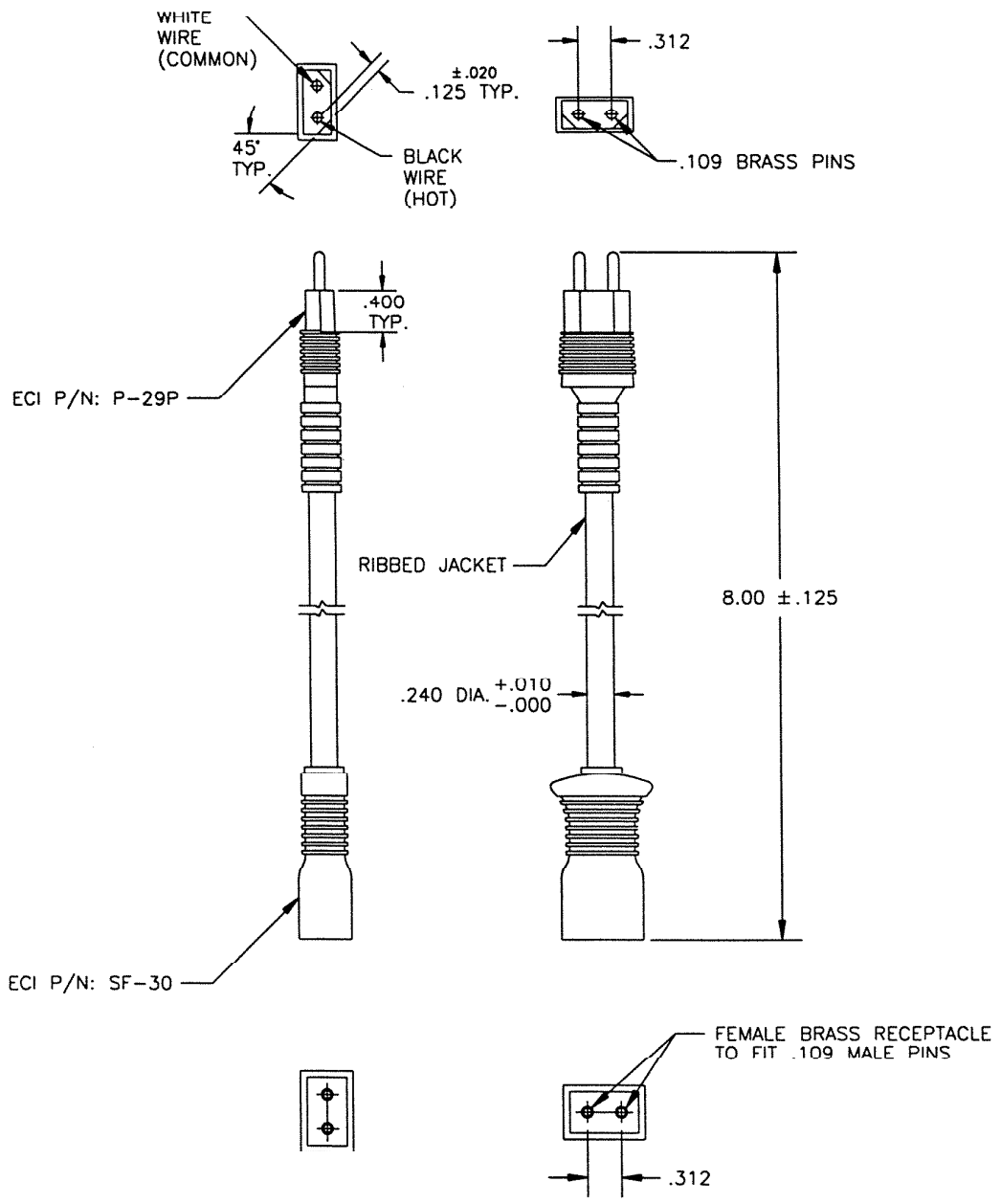
I'm sure some of you are receiving questions asking how to use the new 598 Power Brush with the different hoses and cords; due to the pin connector.

Please locate this information in the Central Cleaning Section of your Parts Book.

- (a) When using model 598 with the 348N or 349N - remove the short cord from the hose and plug the 598 cord directly into the hose.
- (b) When using the 398 series with the 549 - they must use short cord #6072A-000, for models 348N and 349N, to connect the hose to the Power Brush.
- (c) When using the 398 series with 598CS - they must use short cord #6072A-000, for models 348N and 349N, to connect the cord to the Power Brush.
- (d) When using model 598 with model 398CS - they must use the long cord #6073A-000 for models 348N and 349N.
 371-372 uses

RC/gs

7-90



NOTES:

1. WIRE: SVT 18/2, STRANDING 41 #34 COPPER WIRE, INSULATION PVC, PAPER FILLER, RATED 7 AMP, 125 VOLT, 60° C.
2. COLOR: WARM GRAY

598, C398NA, 598C, 698C