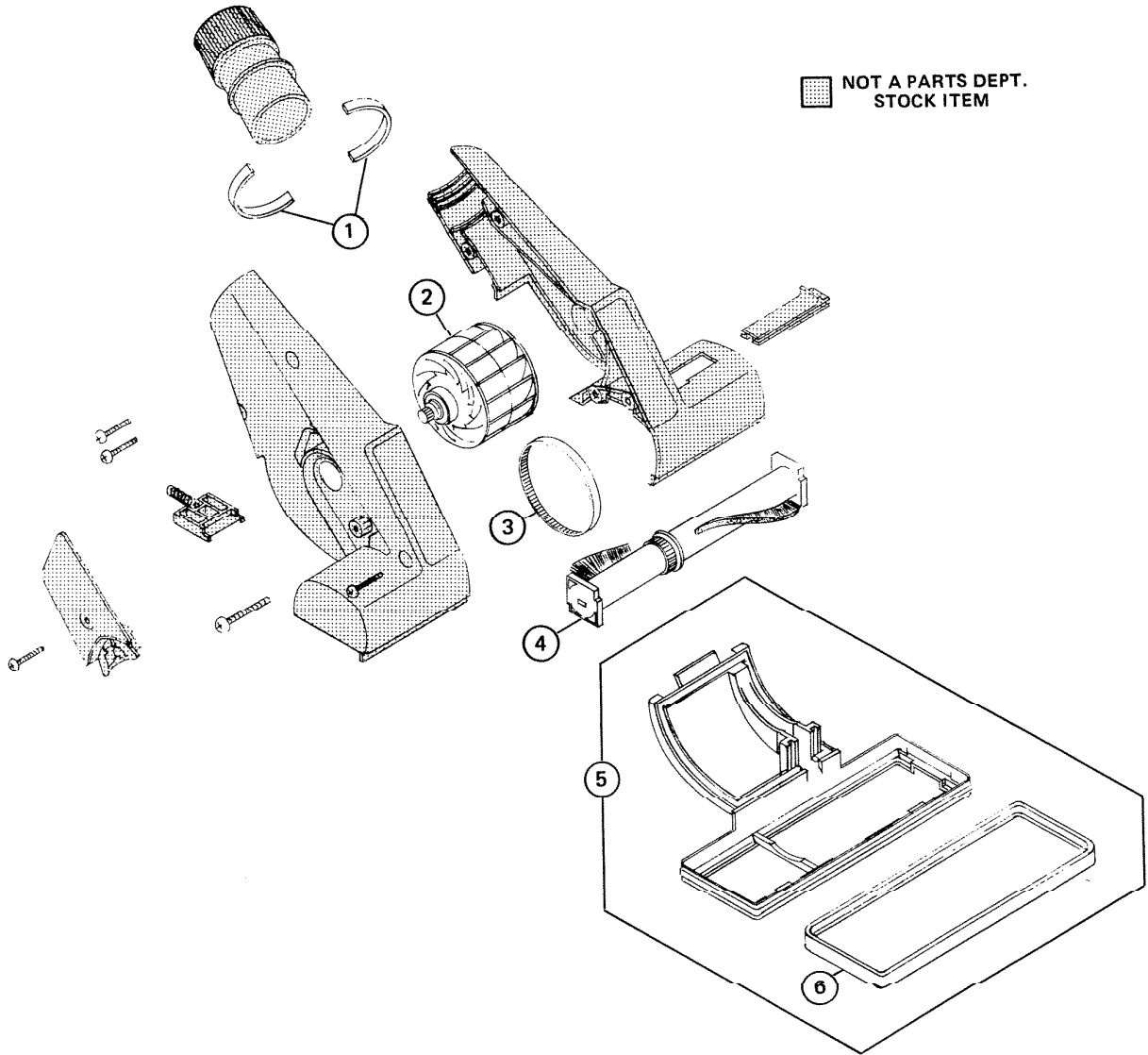


# PARTS LIST

EFFECTIVE DATE	MODEL	PRODUCT GROUP
MAY 1989	5 4 1	CENTRAL CLEANING



REF. NO.	ORIGINAL PART NO.	PART DESCRIPTION	CURRENT REPLACEMENT PART NO.
1	9033A	SWIVEL SEAL SET – (2) HALVES	1849A-000
2	9031A	TURBINE AND SHAFT ASSEMBLY	9031A-000
3	9032A	BELT	9032A-000
4	9034A	BRUSH ASSEMBLY	9034A-000
5	9035A	BASE PLATE W/GASKET AND BUMPER	9035A-000
6	9036A	BUMPER	9036A-000

▲

**NOTE: Always order by current part number.**