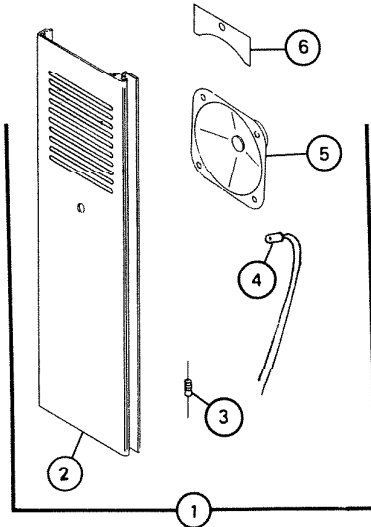
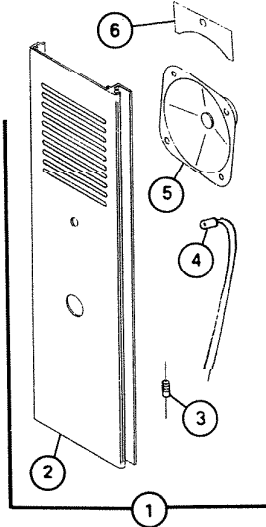


PARTS LIST

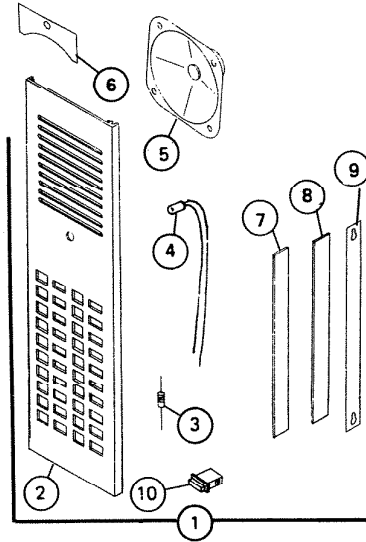
EFFECTIVE DATE	MODEL	PRODUCT GROUP
SEPT. 1988	496 REVISED	APT SECURITY



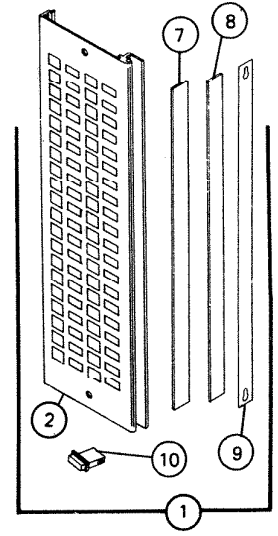
SPEAKER PANEL



SPEAKER PANEL WITH POSTAL LOCK PROVISION

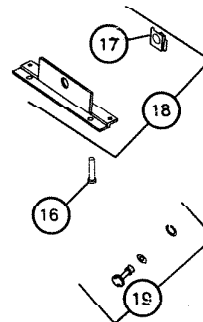
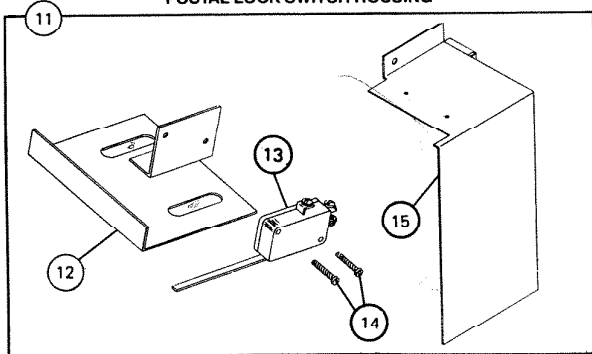


SPEAKER PANEL WITH BUTTONS



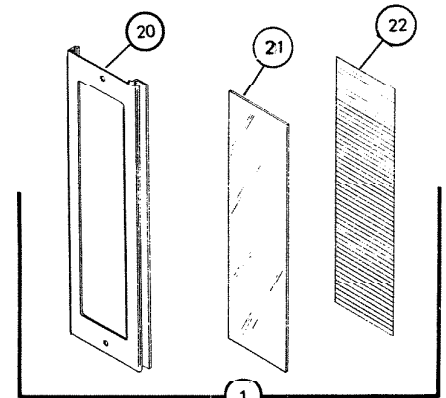
BUTTON PANEL

POSTAL LOCK SWITCH HOUSING

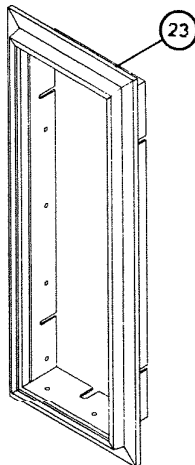


SPECIAL NOTES

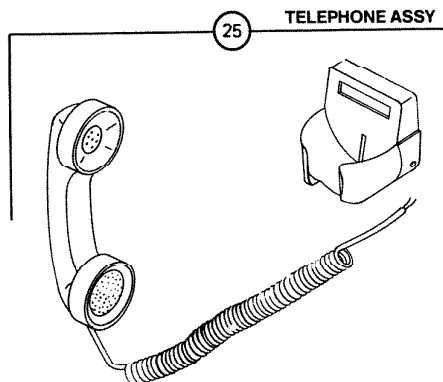
- Buttons provided in even numbers only
- Arrangement of buttons will be determined by factory when maximum button-capacity of panels is not required.



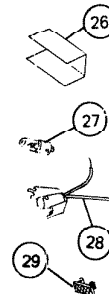
NAME DIRECTORY PANEL



FRAME ASSEMBLY



TELEPHONE ASSY



REF. NO.	ORIGINAL PART NO.	PART DESCRIPTION			CURRENT REPLACEMENT PART NO.
1	41438	PANEL COMP. *SEE NOTE	SPEAKER PANEL	BRASS	41438-000
	41437			SILVER	41437-000
	41432		SPEAKER PANEL WITH POSTAL LOCK PROVISION	BRASS	41432-000
	41431			SILVER	41431-000
	41434		SPEAKER PANEL WITH BUTTONS SPECIFY NO. OF BUTTONS (2-20)	BRASS	41434-000
	41433			SILVER	41433-000
	41444		BUTTON PANEL SPECIFY NO. OF BUTTONS (2-40)	BRASS	41444-000
	41443			SILVER	41443-000
	41435		NAME DIRECTORY	BRASS	41435-000
	41436			SILVER	41436-000
2	1696A	PANEL ASSY. *SEE NOTE	SPEAKER PANEL	BRASS	1696A-000
	1714A			SILVER	1714A-000
	1695A		SPEAKER PANEL WITH POSTAL LOCK PROVISION	BRASS	1695A-000
	1713A			SILVER	1713A-000
	1694A		SPEAKER PANEL FOR BUTTONS SPECIFY NO. OF BUTTON HOLES	BRASS	1694A-000
	1712A			SILVER	1712A-000
	1689A		BUTTON PANEL SPECIFY NO. OF BUTTON HOLES	BRASS	1689A-000
	1707A			SILVER	1707A-000
3	33028	RESISTOR (2W 680 OHM WW)			33028-681
4	41836	L.E.D. ASSY. (GREEN)			41836-000
5	36076	SPEAKER (16 OHM)			36076-000
6	38484	CLAMP			38484-000
7	39321	NO. PLATE PROTECTOR (PLASTIC)			39321-000
8	39320	NUMBER PLATE			39320-000
9	39359	BARRIER STRIP			39359-000
10	42589	PUSH BUTTON (1)			42589-000
11	41427	SWITCH HOUSING COMPLETE			41427-000
12	41520	SLIDE LOCK ASSY.			41520-000
13	34588	SWITCH			34588-000
14	07141	SCREW (1) 2 REQUIRED			07141-000
15	41340	LOCK HOUSING AND BRACKET			41521-005
16	39289	HING PIN (INCLUDED WITH REF. NO. 1)			39289-000
17	39315	RECEPIACLE-CLIP ON			39315-000
18	1684A	MOUNTING BRKT-DOOR (INCLUDED WITH REF. NO. 1)	BRASS	1684A-000	
	1702A		SILVER	1702A-000	
19	1685A	¼ TURN FASTENER SET (INCLUDED WITH REF. NO. 1)	BRASS	1685A-000	
	1703A		BRASS	1703A-000	
20	1691A	NAME PANEL *SEE NOTE	BRASS	1691A-000	
	1709A		SILVER	1709A-000	
21	38148	WINDOW			38148-000
22	1693A	NAME CARD			1693A-000

↑

NOTE: Always order by current part number.

NOTE: PANELS AND FRAMES ARE SPECIAL PRODUCTION ITEMS. PLEASE ALLOW 6 TO 8 WEEKS FOR DELIVERY

REF. NO	ORIGINAL PART NO.	PART DESCRIPTION		CURRENT REPLACEMENT PART NO.	
23	41414	FRAME ASSY. *SEE NOTE	ONE	BRASS	41414-019
	41414		DOOR	SILVER	41414-014
	41415		TWO	BRASS	41415-019
	41415		DOOR	SILVER	41415-014
	41416		THREE	BRASS	41416-019
	41416		DOOR	SILVER	41416-014
	41417		FOUR	BRASS	41417-019
	41417		DOOR	SILVER	41417-014
	41418		FIVE	BRASS	41418-019
	41418		DOOR	SILVER	41418-014
	41419		SIX	BRASS	41419-019
	41419		DOOR	SILVER	41419-014
	41420		SEVEN	BRASS	41420-019
	41420		DOOR	SILVER	41420-014
	41421		EIGHT	BRASS	41421-019
	41421		DOOR	SILVER	41421-014
	41422		NINE	BRASS	41422-019
	41422		DOOR	SILVER	41422-014
41423	TEN	BRASS	41423-019		
41423	DOOR	SILVER	41423-014		
24	41412	KEY-DOOR RELEASE		41412-000	
25	41451	TELEPHONE ASSY.		41451-000	
26	39049	LAMP SHIELD		39049-000	
27	39050	LAMP GIE #756		39050-000	
28	31886	LAMP SOCKET		31886-000	
29	38101	LENS		38101-000	

NOTE: PANELS AND FRAMES ARE SPECIAL PRODUCTION ITEMS. PLEASE ALLOW 6 TO 8 WEEKS FOR DELIVERY

↑

NOTE: Always order by current part number.