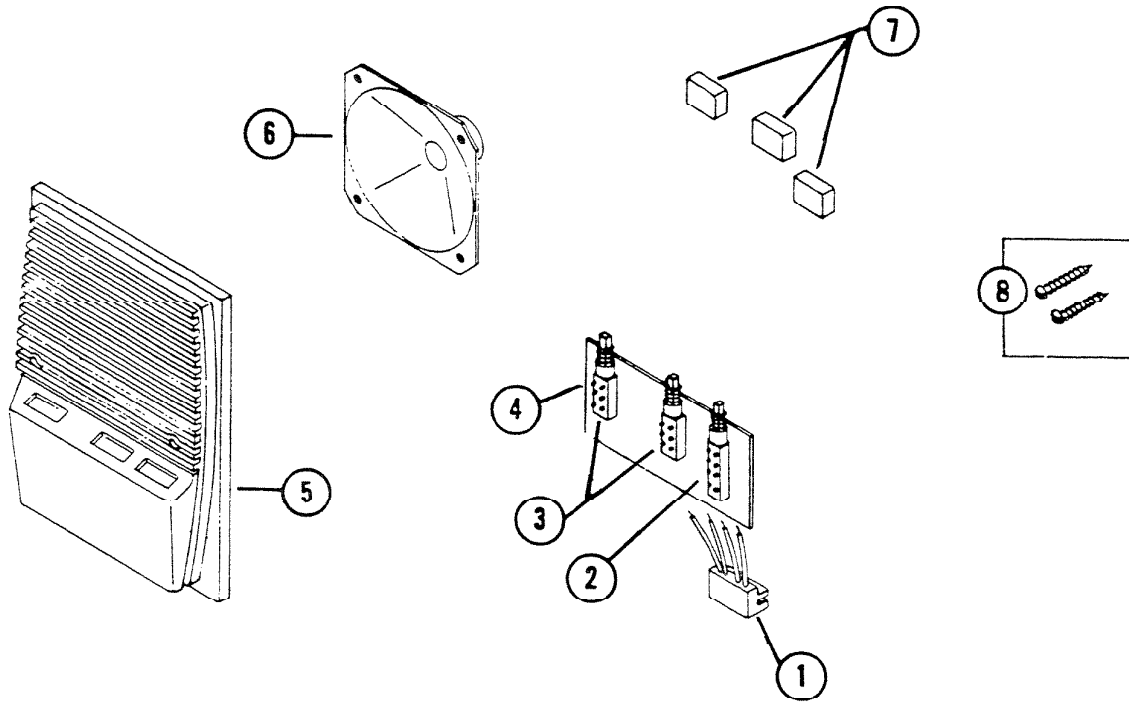


# PARTS LIST

EFFECTIVE DATE	MODEL	PRODUCT GROUP
JAN. 1987	486B REVISED	Electronics



REF.	ORIGINAL PART NO.	PART DESCRIPTION	MODEL USED ON	CURRENT REPLACEMENT PART NO.
1	41058	EDGE CONNECTOR ASSEMBLY	486	41058-000
2	34587	PUSH SWITCH 4 P.D.T.	486	34587-000
3	34575	PUSH SWITCH 2 P.D.T. (1)	486	34575-000
4	40965	P.C. TERMINAL BOARD ASSEMBLY	486	40965-000
5	38062	FRONT PANEL	486	38062-000
6	36548	SPEAKER	486	36076-000
7	31878	PUSHBUTTON (1)	486	31878-000
8	40966	ENVELOPE ASSEMBLY (Mounting Screws)	486	40966-000

↑

**NOTE: Always order by current part number.**