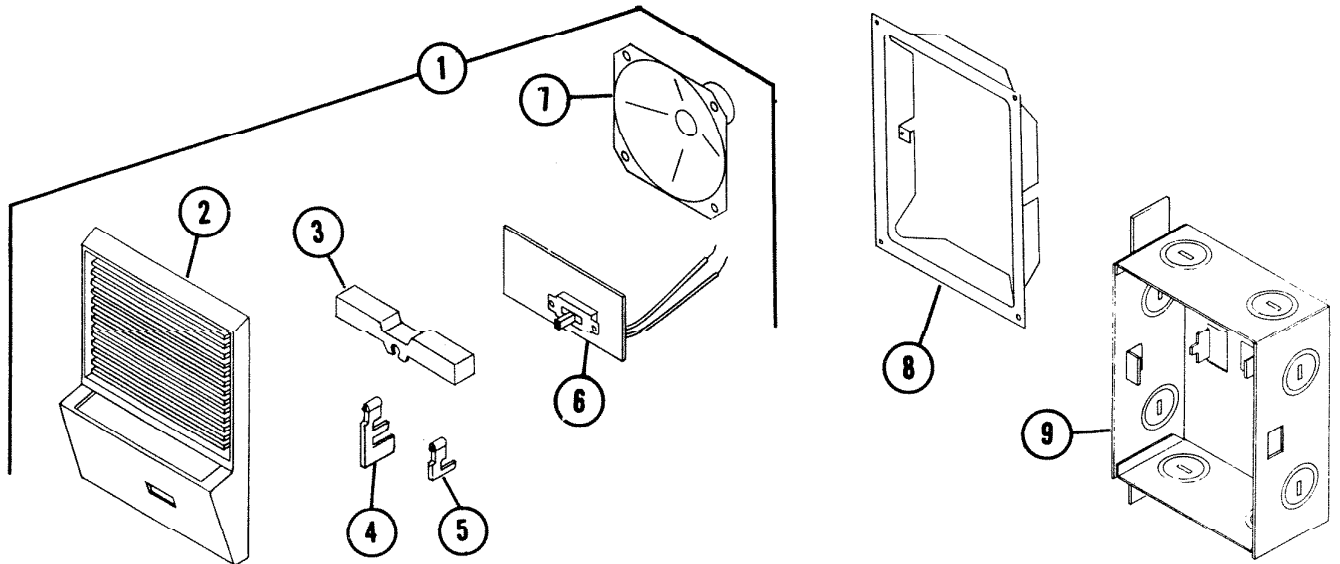


PARTS LIST

| | |
|-----------------------|-------------------------------------|
| MODEL | IR-3 IR-4 ELECTRONICS 485 "B" |
| EFFECTIVE DATE | FEB., 1976 |



| REF. | ORIGINAL PART NO. | * PART DESCRIPTION | MODEL USED ON | CURRENT REPLACEMENT PART NO. |
|------|-------------------|-------------------------|---------------|------------------------------|
| 1 | 12153-900 | Speaker Panel Comp. | 485 "B" | 12153-900 |
| 2 | 38690 | Panel - Speaker | 485 "B" | 38690-000 |
| 3 | 38691 | Rocker | 485 "B" | 38691-000 |
| 4 | 38692 | Sliding Link - Long | 485 "B" | 38692-000 |
| 5 | 38693 | Sliding Link - Short | 485 "B" | 38693-000 |
| 6 | 41760 | P.C. Board Assy. | 485 "B" | 41760-000 |
| 7 | 36076 | Speaker - 3 1/2" 16 Ohm | 485 "B" | 36076-000 |
| 8 | 12660-900 | Rough in Frame | IR-3 | 12660-900 |
| 9 | 12662-900 | Rough in Frame | IR-4 | 12662-900 |
| | | | | |