

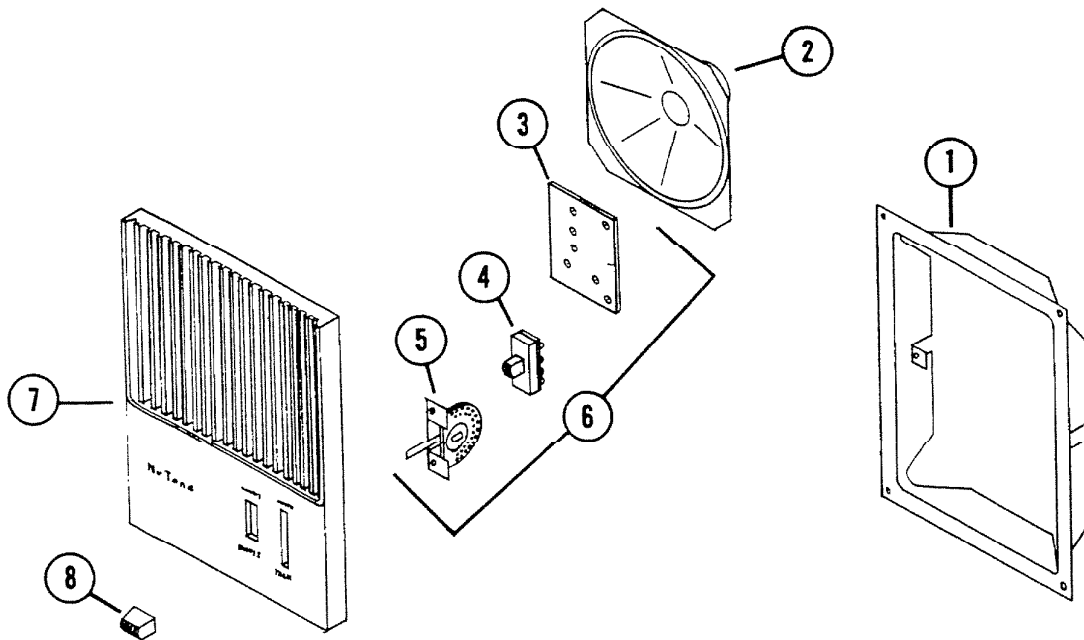
EFFECTIVE DATE

January 1, 1971

NuTone PARTS LIST

MODEL

472A & 484



REF.	PART NO.	*Part used on other model/s	PART DESCRIPTION
1	32323		"A" Frame
2	36548	*	Speaker
3	39052		Terminal Board
4	34589	*	Slide Switch
5	34590	*	Lever Switch
6	41062		Switch and Plate Assembly
7	38167		Speaker Panel
8	31651		Knob Lever
-	40966		Envelope Assembly (not shown)

Order Parts From: PARTS DEPT. C/O

NuTone **SCOVILL**

DIVISION

Madison and Red Bank Rds., Cincinnati, O. 45227