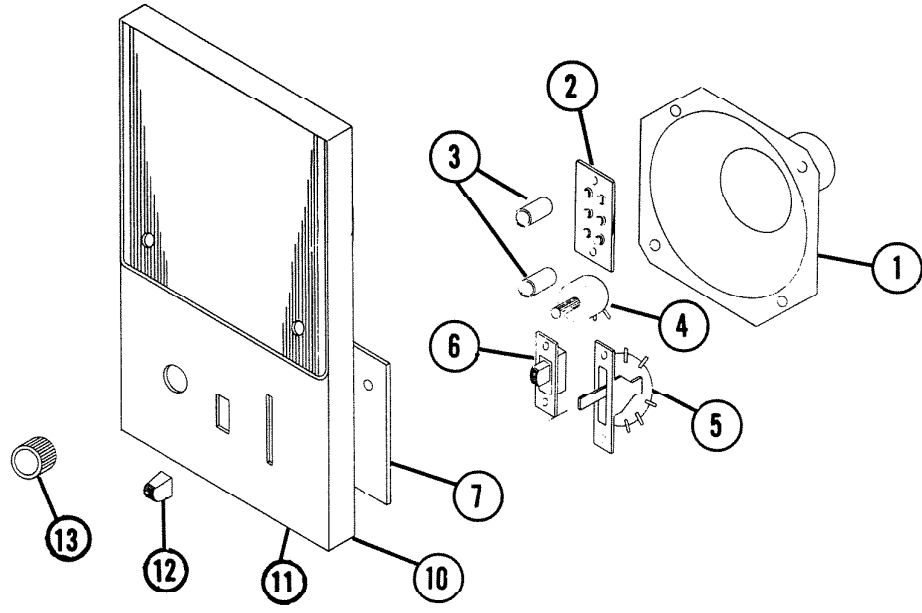


EFFECTIVE DATE
July 15, 1970

NuTone

PARTS LIST

MODEL
482 and 483
Electronic



REF.	PART NO.	*Part used on other model/s	PART DESCRIPTION
1	36053		Speaker 3-1/2" 8 Ohm
2	31778		Terminal Board
3	31779		Spacer
4	34034		Potentiometer
5	34528		Lever Switch
6	34551		Slide Switch (Model 482 B Only)
7	32086		Support Plate
8	40537		Switch & Plate Assembly (Ref. Nos. 2, 3, 4, 5, 6 & 7)
9	40538		Switch & Plate Assembly (Ref. Nos. 2, 3, 4, 5 & 7)
10	32084		Remote Panel, Model 482
11	32085		Remote Panel, Model 483
12	31651		Lever Knob
13	31435		Volume Knob
14	32303		Surface Mounting Plate (Not Shown)
15	40572		Envelope Assembly (Mounting Screws) (Not Shown)

Order Parts From: PARTS DEPT. C/O
NuTone