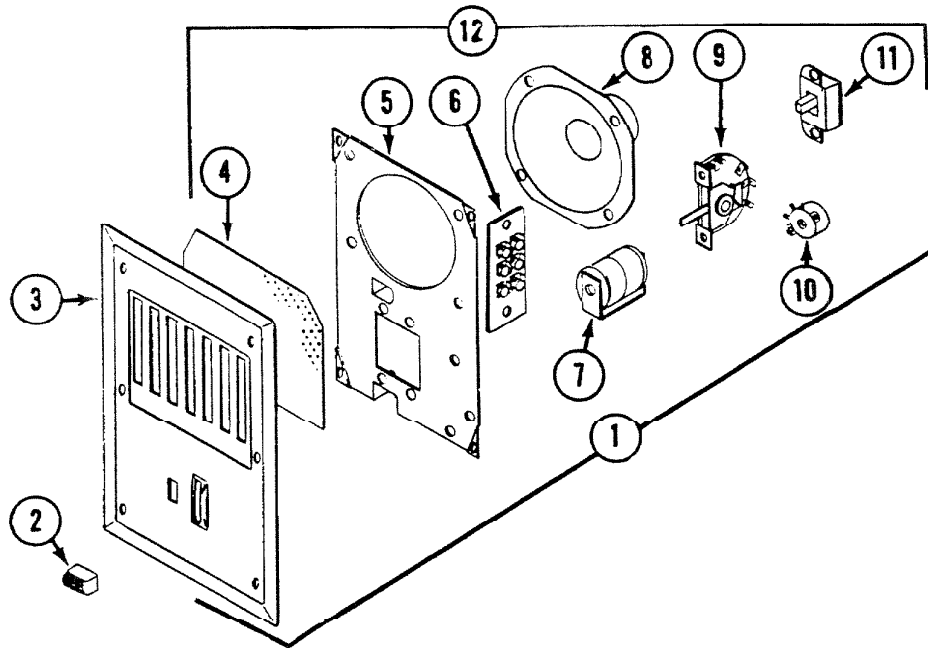


EFFECTIVE DATE
June 1, 1968



MODEL
481

PARTS LIST



QTY.	PART NO.	PART DESCRIPTION
1	40680	Speaker Panel Assembly Complete.
2	31651	Knob (Lever)
3	32112	Front Panel
4	32067	Grille
5	32057	Mounting Plate
6	40683	Terminal Board Assembly
7	36040	Buzzer
8	36053	Speaker
9	34528	Lever Switch
10	34019	Potentiometer (Volume)
11	34551	Slide Switch
12	40681	Switch and Plate Assembly
13	40684	Envelope Assembly (NOT SHOWN)

PRICES SUBJECT TO CHANGE WITHOUT NOTICE

Order Parts From: PARTS DEPT. C/O



DIVISION
Madison and Red Bank Rds., Cincinnati, O. 45227

*Part used on other model/s

Printed in the U.S.A.