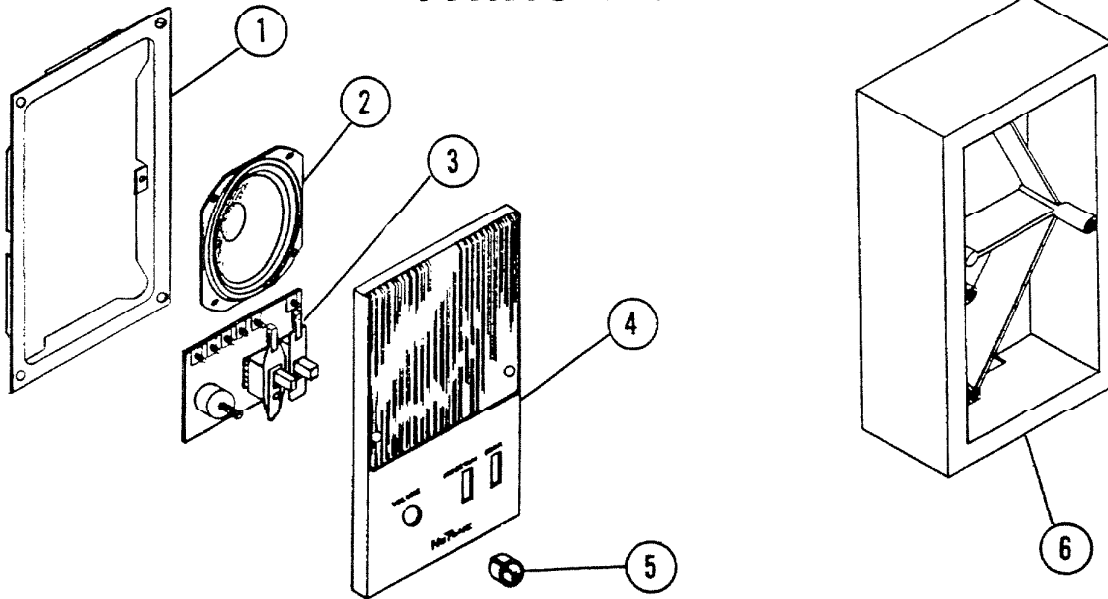


EFFECTIVE DATE
May 15, 1967

NuTone

MODEL
472

PARTS LIST



REF.	PART NO.	PART DESCRIPTION
1	32323	"A" Frame
2	36053	Speaker 3-1/2" 8 Ohm
3	40574	P. C. Board Assembly Complete
4	32299	Remote Panel
5	31435	Knob
<u>ELECTRONIC PARTS</u>		
-	34563	DPDT Slide Switch
-	34033	Potentiometer
-	40575	Switch and Lock Assembly
-	40577	Sleeve and Plug Button Assembly
6	32303	Surface Mounting Sleeve
-	45134	Plug Button
-	40578	Envelope Assembly

PRICES SUBJECT TO CHANGE WITHOUT NOTICE

Order Parts From:
NUTONE, INC.

P. O. Box 27 Cincinnati, Ohio 45227

Printed in the U.S.A.

*Part used on other model/s