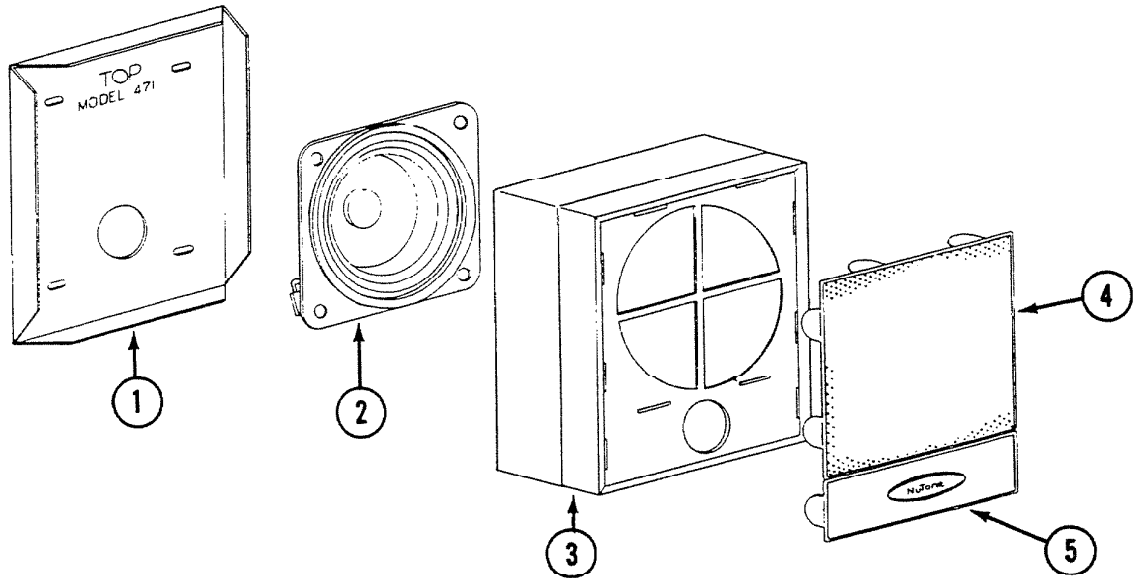


EFFECTIVE DATE
July 15, 1970

NuTone PARTS LIST

MODEL
471 Speaker
Electronics



REF.	PART NO.	*Part used on other model/s	PART DESCRIPTION
1	32268		Mounting Plate
2	36015		Speaker 3"
3	32300		Box
4	32271		Grille
5	32301		Nameplate
-	40156		Envelope Assembly (Mounting Screws)

Order Parts From: PARTS DEPT. C/O

NuTone **SCOVILL**

DIVISION

Madison and Red Bank Rds., Cincinnati, O. 45227