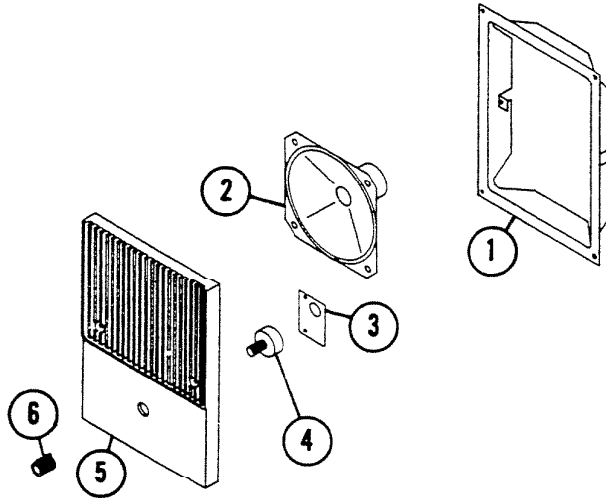


PARTS LIST

MODEL	MODEL 461 ELECTRONICS
EFFECTIVE DATE	February 15, 1972



REF.	PART NO.	* Part used on other models.	NOMENCLATURE
1	32323		"A" Frame
2	36047		Speaker
3	32214		Support Plate
4	34033		Potentiometer
5	32213		Panel
6	31435		Knob
-	31526	*	Mounting Screws (2 Required)

NuTone

Order Parts From: Parts Department c/o
NuTone
Madison & Red Bank Road
Cincinnati, Ohio 45227