

PARTS LIST

EFFECTIVE DATE	MODEL	PRODUCT GROUP
JAN. 1990	398A, B, C 398ND REVISED 398N, E, F, G, A NEW	CENTRAL CLEANING SYSTEM

MODEL SERIES CAN BE FOUND ON BACK OF THE HOUSING ASSY. REF #10

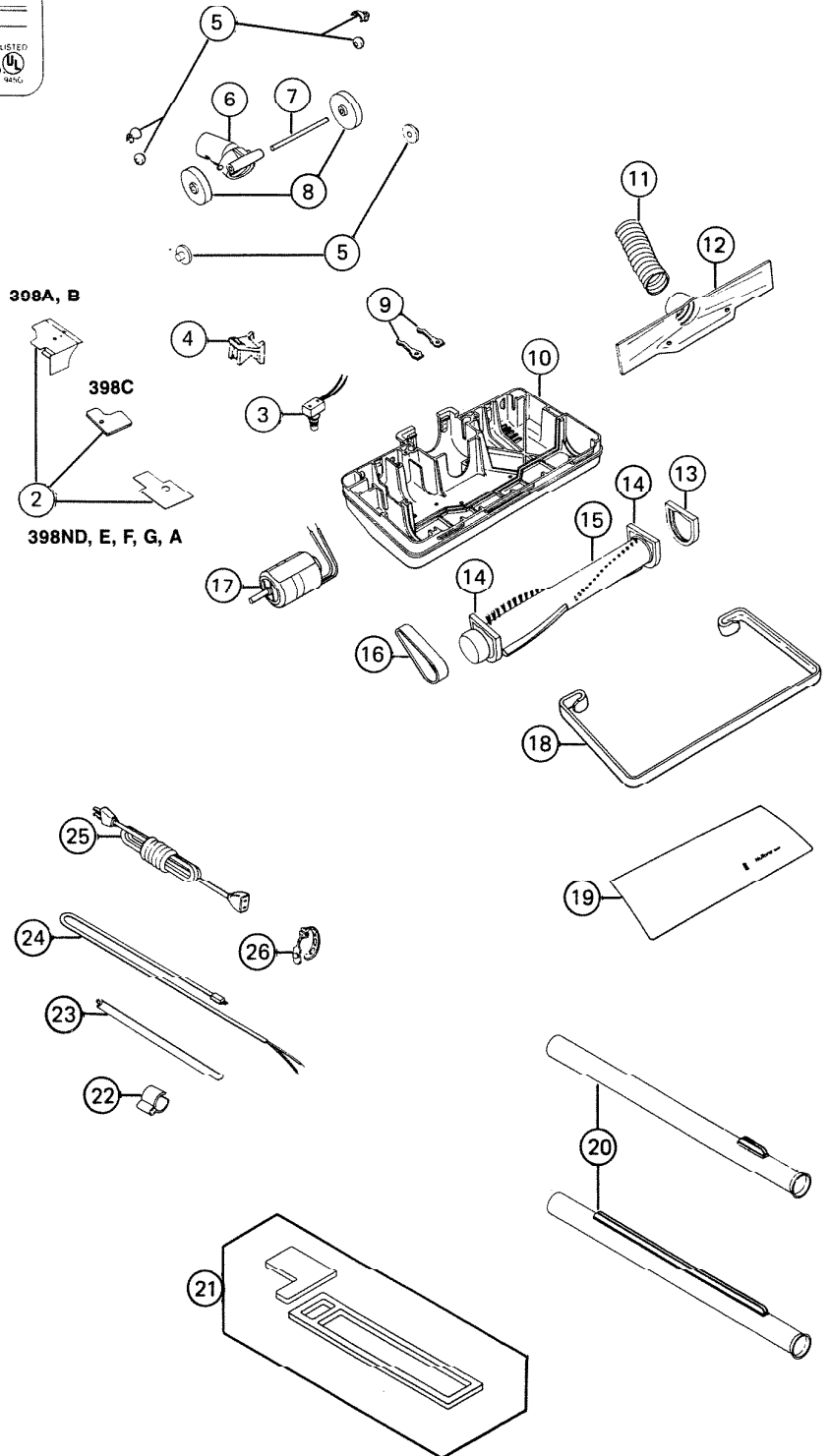
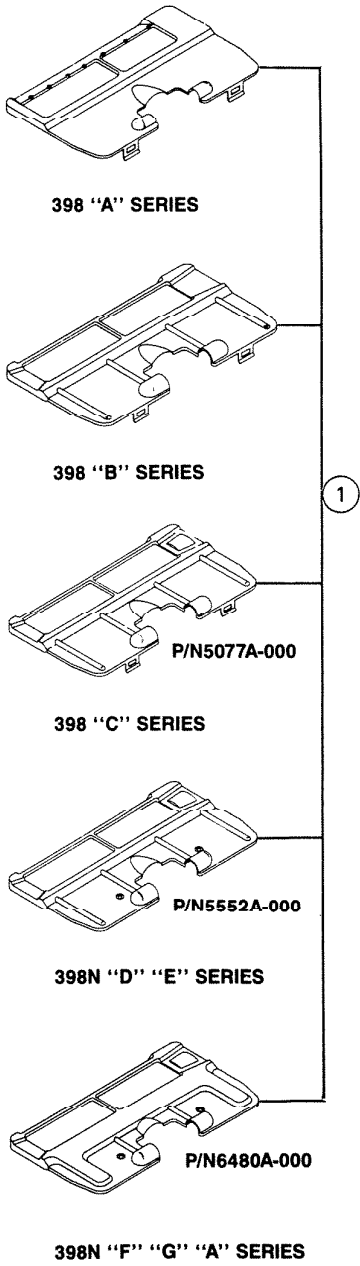
MODEL _____ TYPE & SERIAL _____

AMPS: _____ VOLTS: _____

HERTZ: _____ MOTORIZED _____ NOZZLE _____ LISTED

NuTone Division CINCINNATI OHIO 45227

UL 945G



REF.	ORIGINAL PART NO.	*PART DESCRIPTION		MODEL USED ON	CURRENT REPLACEMENT PART NO.
1	5077A	SOLE PLATE		398A, B, C	5077A-000
	5552A			398N, D, E	5552A-000
	6480A			398N, F, G, A	6480A-000
2	61102	SWITCH COVER		398A, B	61102-000
	61277			398C	61277-000
	5559A			398N, D, E, F, G, A	5559A-000
3	61100	SWITCH		398A	61276-000
	61276			398B, C/398N, D, E, F, G, A	
4	8921A	PEDAL—USED ON CURRENT 398NA		398NA (Current)	8921A-000
5	1624A	AXLE BEARING SET	(2) Balls +	398A, B, C	1842A-000
	1045A		(2) Caps		
	6479A		Discs		
6	61110	SOCKET—HANDLE ASSEMBLY		398A, B, C	5906A-000
	5549A			398N, D, E, F, G, A	5903A-000
7	61098	AXLE		All Models	61098-000
8	61097	WHEEL (1)—2 REQUIRED			1808A-000
9	61093	CLIPS (2)—UPRIGHT RETAINER SET		398A, B, C	1623A-000
10	61091	HOUSING ASSY.		398A, B, C	5074A-000
	1043A			Housing w/Pedal	398N, D, E, F, G, A
11	61095	HOSE		398A, B, C	61095-000
	5550A			398N, D, E, F, G, A	5550A-000
12	61092	INLET DIVIDER		All Models	61092-000
13	61104	GASKET—FOR END CAP		All Models	61104-000
14	1602A	BEARING CAP ASSEMBLY		398A, B	1602A-000
	1610A			398C, 398N, D, E, F, G, A	1610A-000
15	5075A	BEATER ROLLER AND BEARING ASSEMBLY		w/Gasket Kit	5075A-000
	5551A			398A, B, C	5551A-000
16	61105	BELT			61105-000
17	69232	MOTOR W/NAME PLATE (DECAL)		69232-000
18	5076A	FURNITURE GUARD—NOT AVAILABLE FOR 398A		5076A-000
19	61108	NAME PLATE (DECAL)	 All Models	61108-000
20	65681	STRAIGHT WAND	Long Wire Channel Not Available		5905A-000
	5905A		Short Wire Channel		
21	1601A	GASKET KIT		All Models	1601A-000
22	65682	CORD CHANNEL CLAMP (1)—4 REQUIRED		398A, B, C	65682-000
23	65009	WIRE CHANNEL (1)—2 REQUIRED		398A, B, C	65009-000
24	61101	CORD AND PLUG ASSEMBLY		6 Ft.	61101-000
	5904A			4 Ft.	398N, D, E, F, G, A
25	65005	EXTENSION CORD—30 FT.		All Models	65005-000
26	65007	CORD STRAP (1)—10 REQUIRED		All Models	65007-000

*** NOTE:** Update kit Part No. 1096A-000 is available for models A, B and C. This kit contains one each of the following: Part No. 5551A-000 Beater Bar w/large pulley, Part No. 61105-000 Belt, Part No. 5077A-000 Sole Plate for large pulley.

NOTE: Current version of 398NA has a pedal to operate the On/Off switch, early 398NA's switch was on top of housing.

NOTE: Always order by current part number.