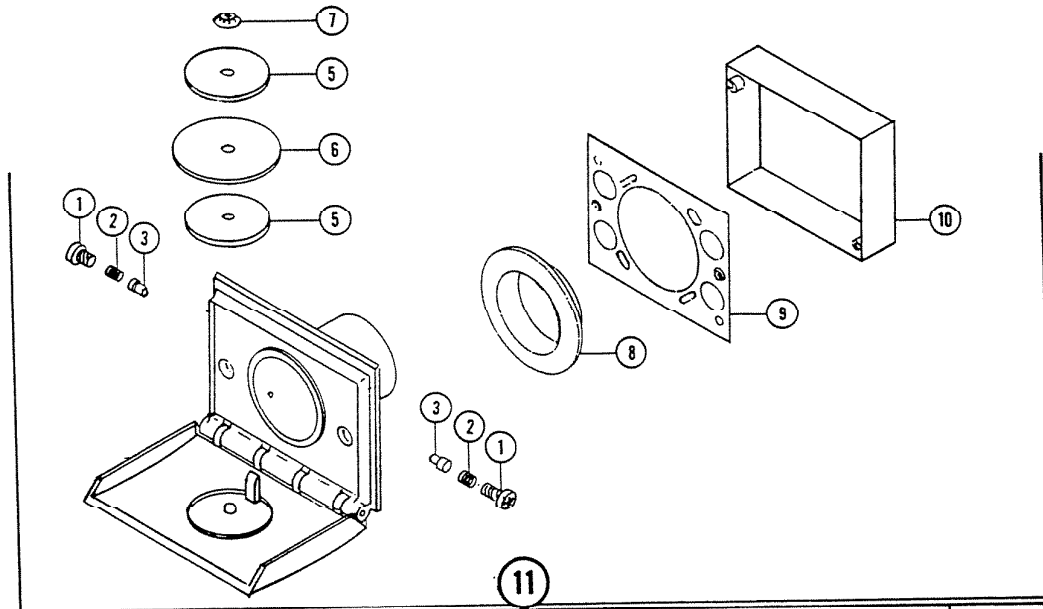


# PARTS LIST

MODEL	375
-------	-----



REF. NO.	ORIGINAL PART NO.	DESCRIPTION	CURRENT REPL'MT. PART NO.
1	63201-000	SCREW (ONE) (2 REQUIRED)	63201-004
2	63009-000	SPRING-CONTACT (ONE) (2 REQUIRED)	63009-000
3	63008-000	CONTACT PINE (ONE) (2 REQUIRED)	63008-000
4	69211-000	WALL PLATE ASSEMBLY	69211-000
5	63202-000	VALVE SEAL TOP AND BOTTOM (ONE) (2 REQUIRED)	63202-000
6	63005-000	VALVE SEAL	63005-000
7	63007-000	PUSH NUT	63007-000
8	63317-000	INLET SEAL	63317-000
9	63186-000	OUTLET BOX MTG. PLATE	63186-005
10	63181-000	OUTLET BOX FRAME ASSEMBLY	63181-005
11	77235-900	AUTOMATIC INLET COMP.	77235-900
-	63011-000	ENVELOPE ASSY. MTG. SCREWS (NOT SHOWN)	63011-000