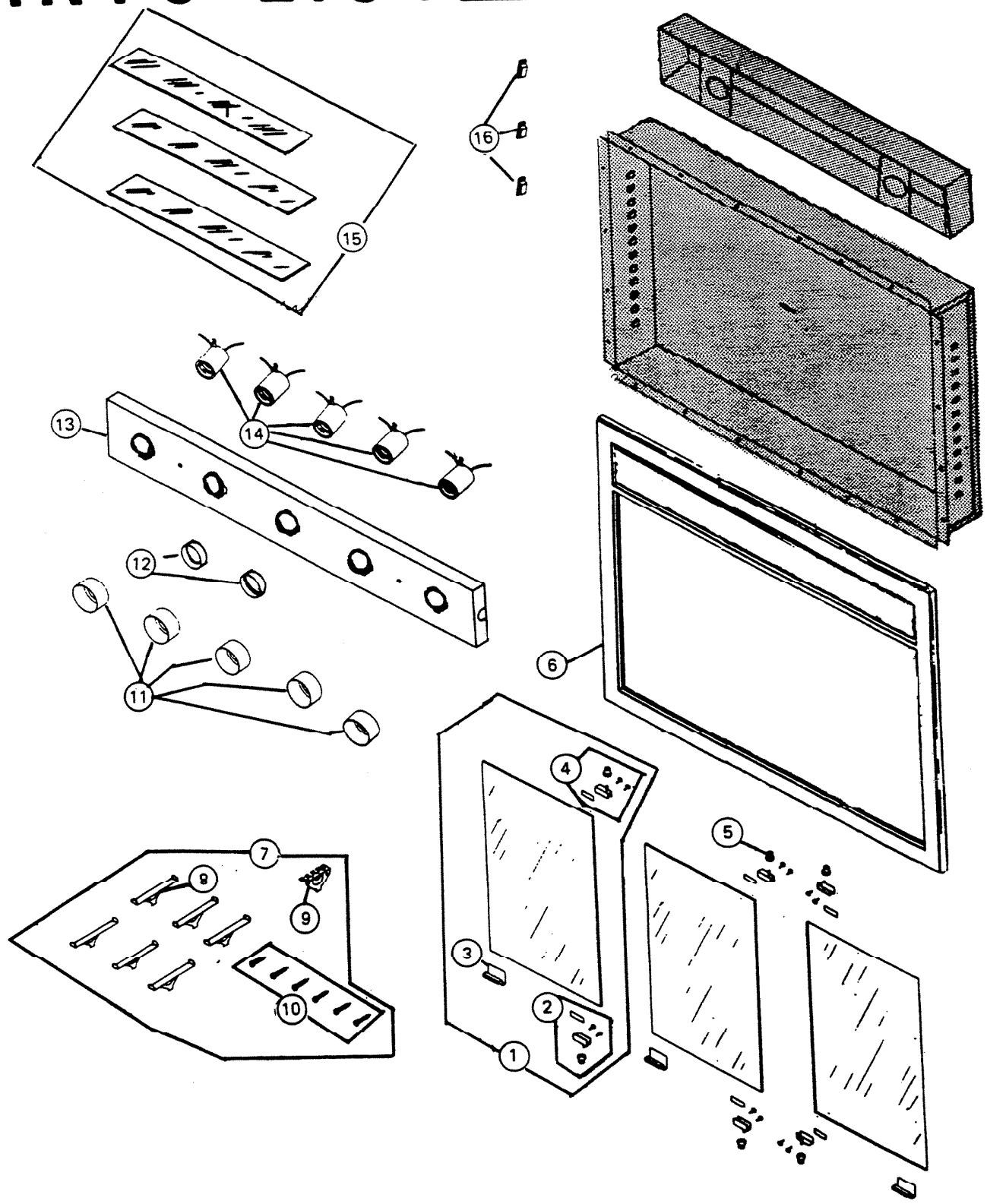


PARTS LIST

EFFECTIVE DATE	MODEL	PRODUCT GROUP
APRIL 1987	3640D/H NEW	Bath Cabinet



NuTone

REF.	ORIGINAL PART NO	PART DESCRIPTION		MODEL USED ON	CURRENT REPLACEMENT PART NO
1	0742A	MIRROR ASSEMBLY L.H., CENTER, R.H. (Door Assembly)		3640D/H	0742A-000
2	96434	DOOR HINGE (Complete) Right Hand		3640D/H	96434-000
3	96453	PULL AND TAPE ASSEMBLY		3640D/H	96453-000
4	96435	PIVOT HINGE (Complete) Left Hand		3640D/H	96435-000
5	0743A	BUSHING SET (6)		3640D/H	0743A-000
6	96437	FRAME ASSEMBLY		3640D	96437-A12
	96437			3640H	96437-A08
7	90942	HARDWARE SET		3640D/H	90942-000
8	90589	SHELF SUPPORT (1)		3640D/H	90589-000
9	92264	TOOTHBRUSH HOLDER		3640D/H	92264-000
10	69781	SCREW SET (6)		3640D/H	69781-000
11	96430	SOCKET CUP (1) – 5 REQUIRED		3640D/H	96430-000
12	96433	COUNTER RING PLASTIC (1) – 2 Required		3640D/H	96433-000
13	96427	COVER		3640D/H	96427-000
14	96431	SOCKET (1) – 5 REQUIRED		3640D/H	96431-000
15	96439	SHELF	ONE	3640D/H	96439-000
	96458		SET OF 3		96458-000
16	90011	CATCH MAGNETIC (1) – 3 Required		3640D/H	90011-000